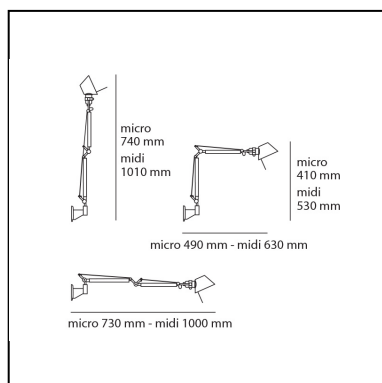


Tolomeo Micro Wall - Anodized red - Body Lamp

Michele De Lucchi
Giancarlo Fassina



LUMINAIRE

- Watt: **40W**
- Voltage: **220V-240V**
- Delivered lumens output: **244lm**
- Efficiency: **57%**
- Efficacy: **6.1lm/W**
- CRI: **100**

Notes

Possibility to mount LED source on E14 Socket. Complete lamp consists of body lamp + accessories

DESCRIPTION

Cantilevered arms in polished aluminium; diffuser in anodised red aluminium; joints and wall support in polished aluminium. System of spring balancing. The code refers to the luminaire's body only

PRODUCT CODE: A010910

FEATURES

- Article Code: **A010910**
- Colour: **Metal red**
- Installation: **Wall**
- Material: **Aluminium**
- Series: **Design Collection**
- design by: **Michele De Lucchi, Giancarlo Fassina**

DIMENSIONS

- Length: **cm 49**
- Height: **cm 41**
- Max Extension Height: **cm 74**
- Max Extension Length: **cm 73**

NOT INCLUDED SOURCES

- Category: **HALO**
- Number: **1**
- Lbs: **Qt26**
- Watt: **46W**
- Socket: **E14**
- Color Rendering: **1a**
- Color temperature (K): **3000K**

ALTERNATIVE SOURCES

- Category: **LED RETROFIT**
- Number: **1**
- Watt: **4W**
- Delivered lumens output: **370lm**
- Socket: **E14**

Accessories



Wall support -
Aluminium
A025150