

## Safety instructions

Important! Before commencing installation work disconnect the main cable from the power supply - remove fuse or turn switch to "OFF"!

1. Installation should be carried out in accordance with the local safety regulations.
2. In order to prevent damage, please check walls for cables before drilling holes.
3. Please ensure that all electrical connections (even preassembled lamps) are screwed tightly or are fully inserted as good contact is essential for a long life-span at high currents. Please check for tight connections after changing or adjusting lamps. Screwed connections must be tightened after 20 minutes.
4. Please do not place objects on your system (e.g. for decorative purposes) if they were not delivered with the system.
5. The lamps get very hot when in use. Please allow lamps to cool down before touching.
6. Do not change lamps or spots when switched on.
7. System should not be enlarged with additional lamps.
8. Use of a dimmer is highly recommended. Dimmer must be compatible with type of bulb.
9. To avoid greasy fingerprints it is recommended to wear white cotton gloves when handling visible metal and glass parts.
10. For lamps supplied with an external cable. If the external flexible cable or cord of this luminaire is damaged, it shall be exclusively replaced by the manufacturer or his service agent or a similarly qualified person in order to avoid a hazard.
11. The glass used for this lamp is hand-blown. Only 1st. quality has been chosen. Air bubbles and variations in thickness and colour is normal.
12. We reserve the right to make technical alterations.

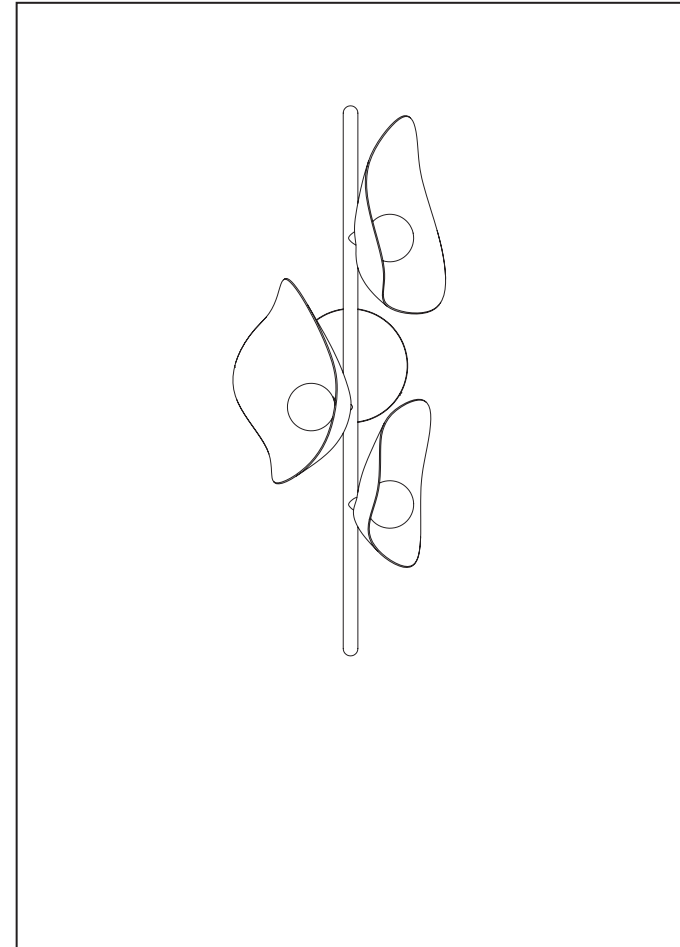
Please keep these instructions.

Fitting: Intergrated LED

2024-04-03 EU

# Florii 3 Wall

## Assembly Instructions



NUURA

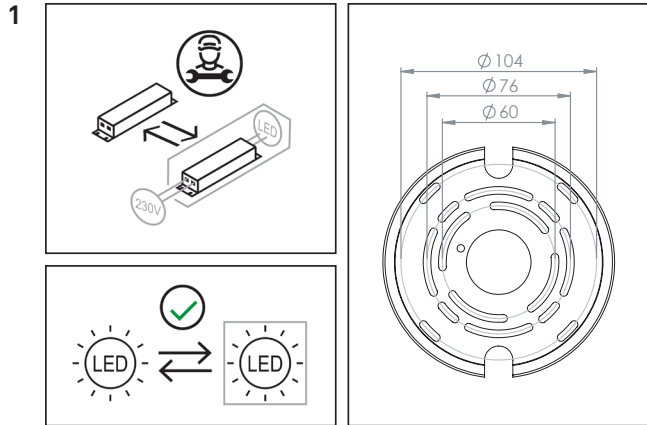
www.nuura.com  
info@nuura.com

© 2024 All rights reserved

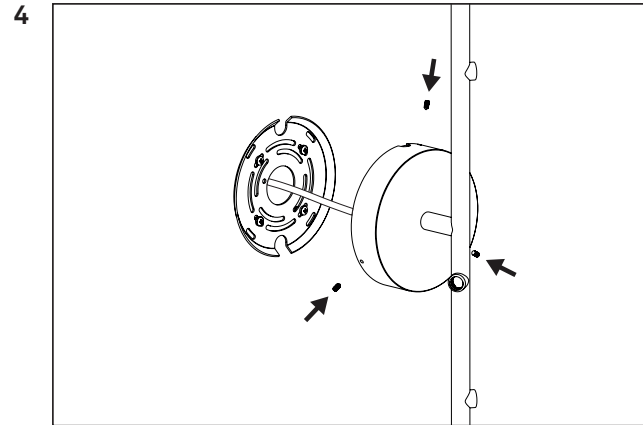


NUURA

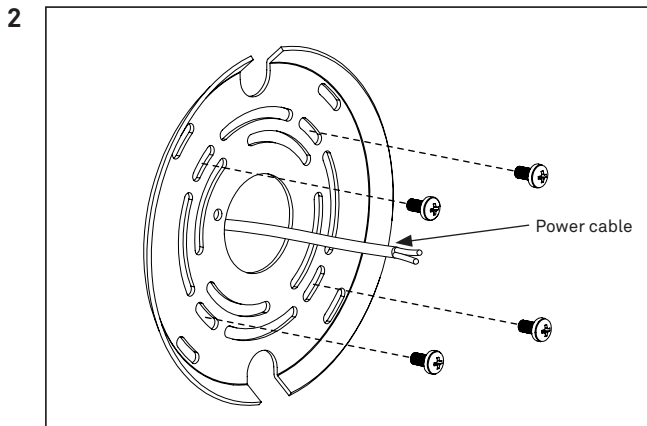
© 2024 All rights reserved



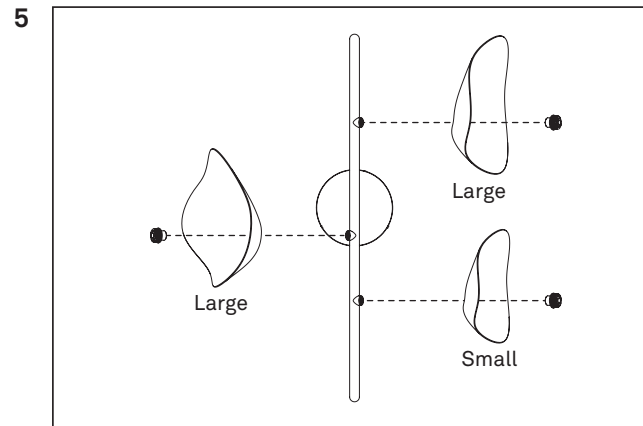
The driver must be replaced by a professional.  
 The LED-module is replaceable by end-user. Instructions at [www.nuura.com](http://www.nuura.com).  
 Mounting hole dimensions.



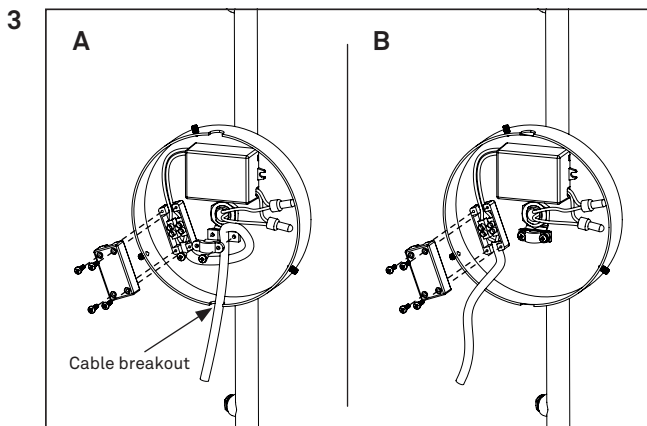
Lock the base in place by tightening the three setscrews with the included hex key.



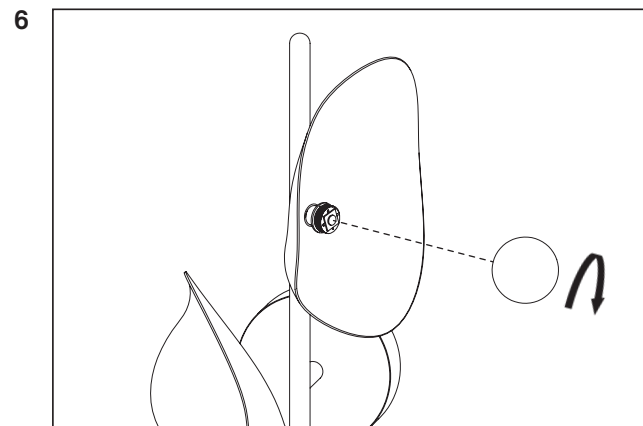
Mount the bracket on the wall or ceiling with screws.  
 Make sure to use appropriate rawl plugs/anchors for your construction. (screws and rawl plugs are not included.)  
 Please make sure the base is appropriately fixated.



Attach the shades by placing them over the threaded base and lock them in place by screwing a light source on.  
 Be aware of the placement and orientation of the shades.



A: For surface mounted cable breakout opening in lamp base with a pleyer. Secure the cable by clamping it with the strain relief.  
 Connect cable ends to the cable terminal inside the terminal box. Match the brown wire with "L" and the blue with "N".  
 B: For hardwired installation connect cable ends directly to the cable terminal inside the terminal box. Match the brown wire with "L" and the blue with "N".



Screw the three glass globes over the light source.  
 Complete.