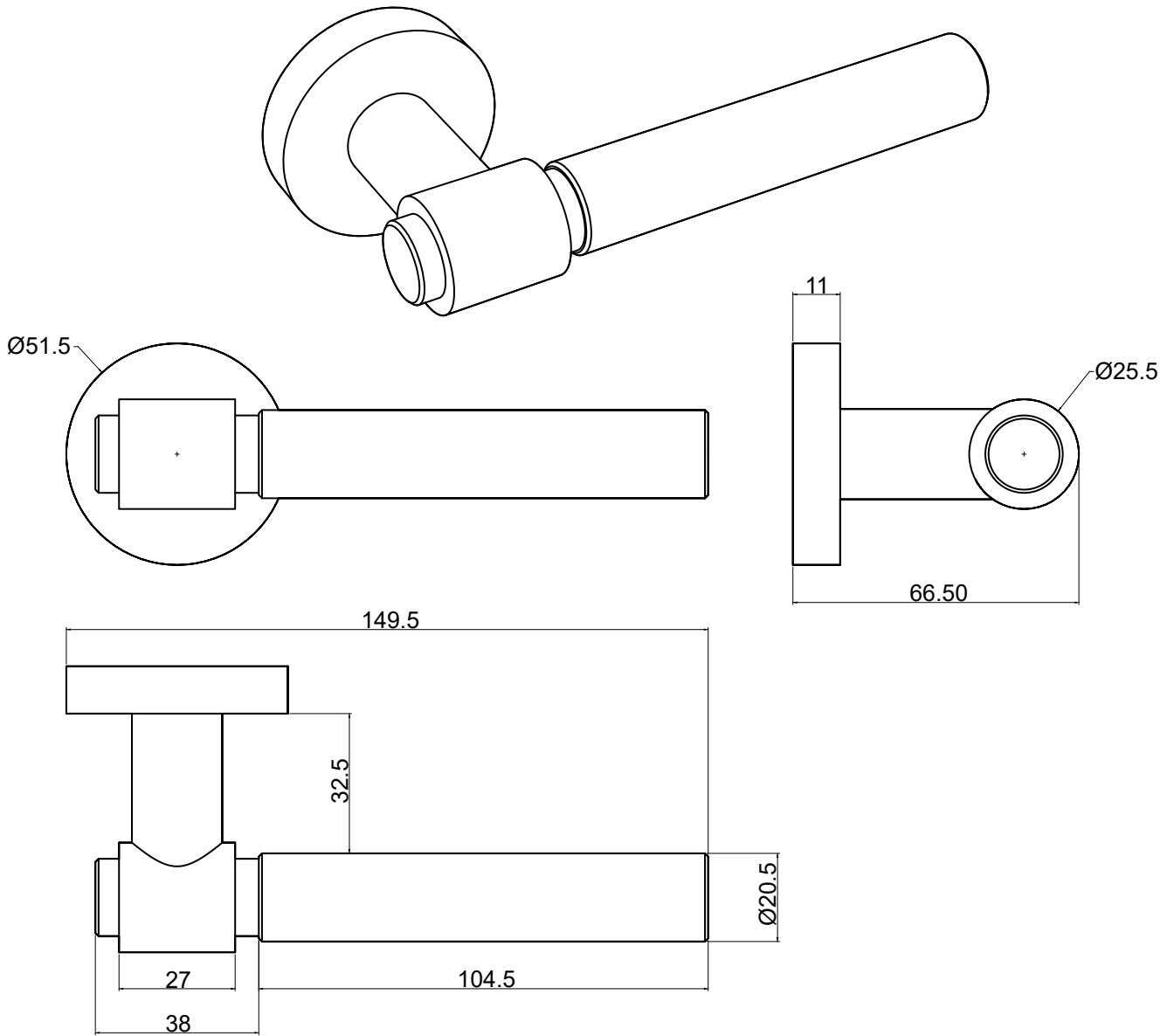


Helix 200- Dimensions



Mounting plate hole configurations

