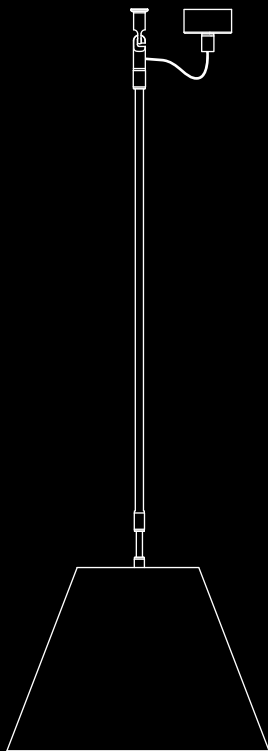


# COSTANZA

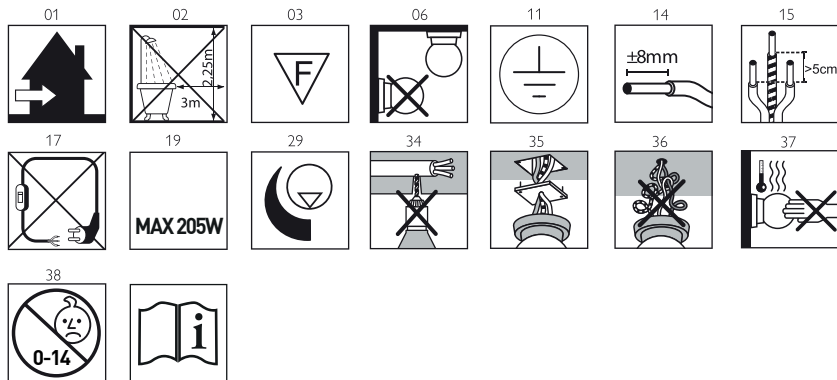
design Paolo Rizzato



**LUCE  
PLAN**

D13





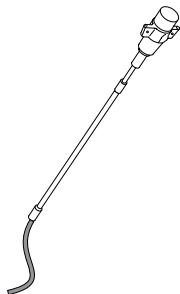
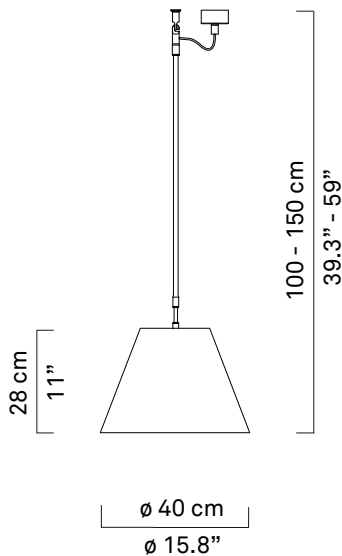
# D13 s



a



b



x 1



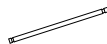
x 1



x 1



x 1



x 2

**kg** 0,5 kg

**lb** 1.1 lb



max 140W  
HSGSA  
E27  
Energy saver



205W  
HSGST  
E27  
Energy saver

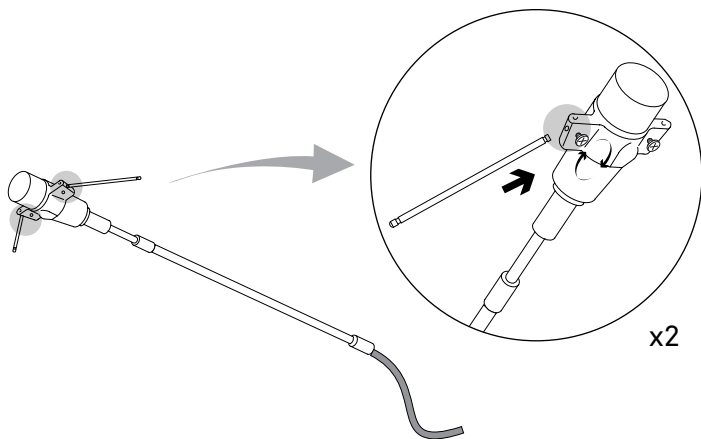


max 23W  
FB  
E27  
fluorescent

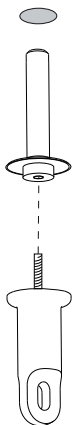


max 20W  
SB LED LAMP  
E27

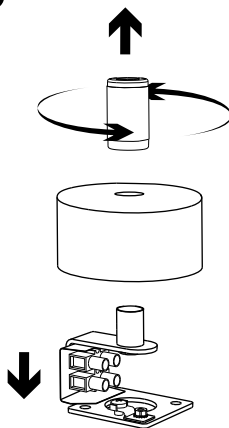
1



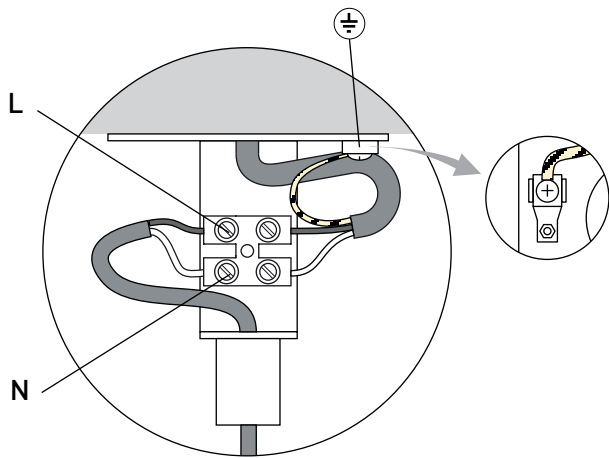
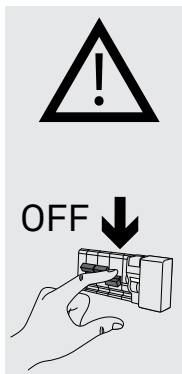
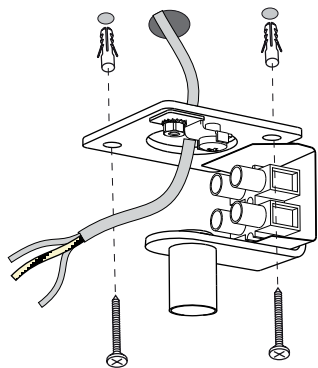
1.2



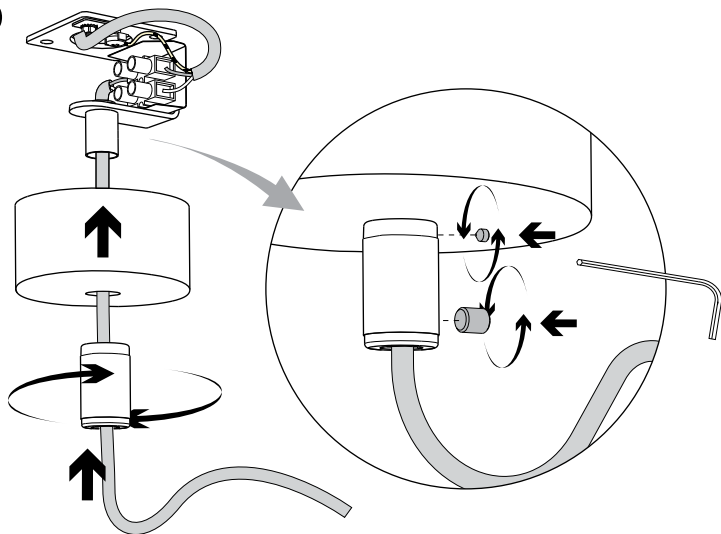
1.3



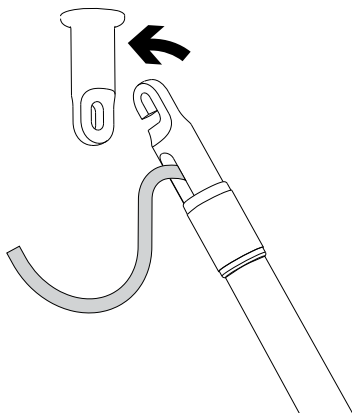
# 1.4



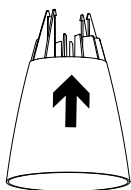
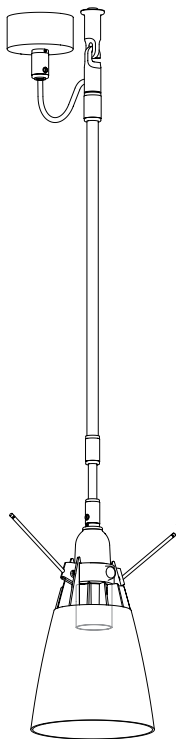
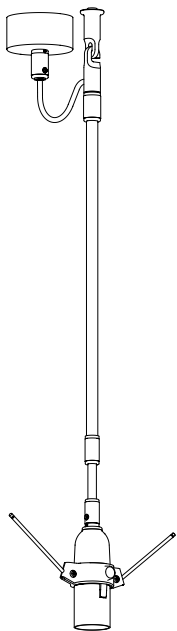
1.5



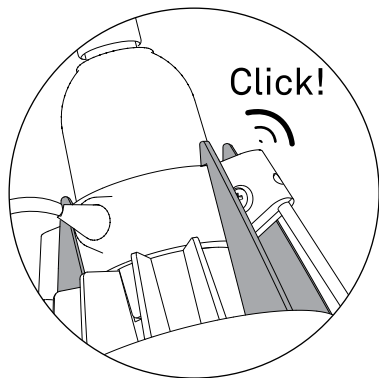
1.6



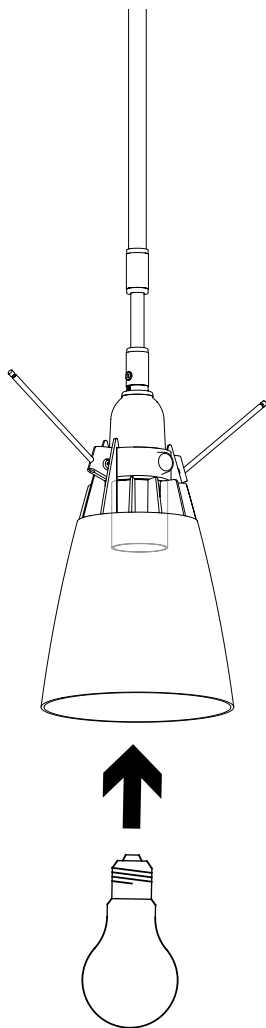
# 1.7



(D13/90)

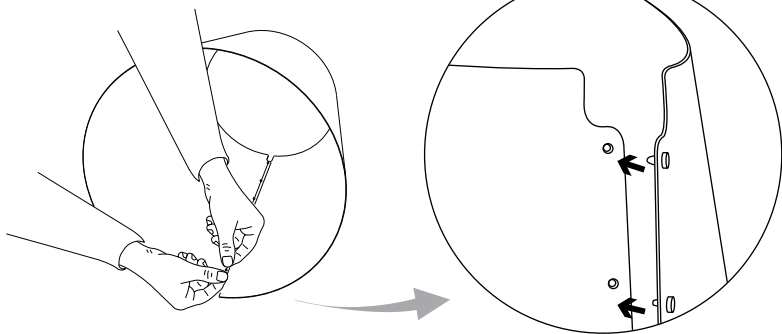


1.8



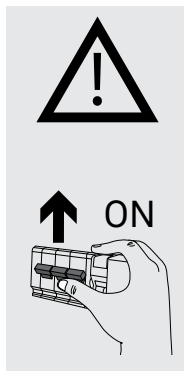
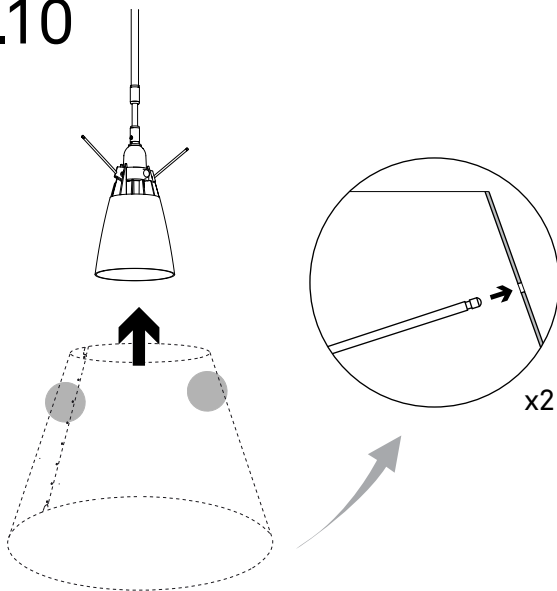


# 1.9

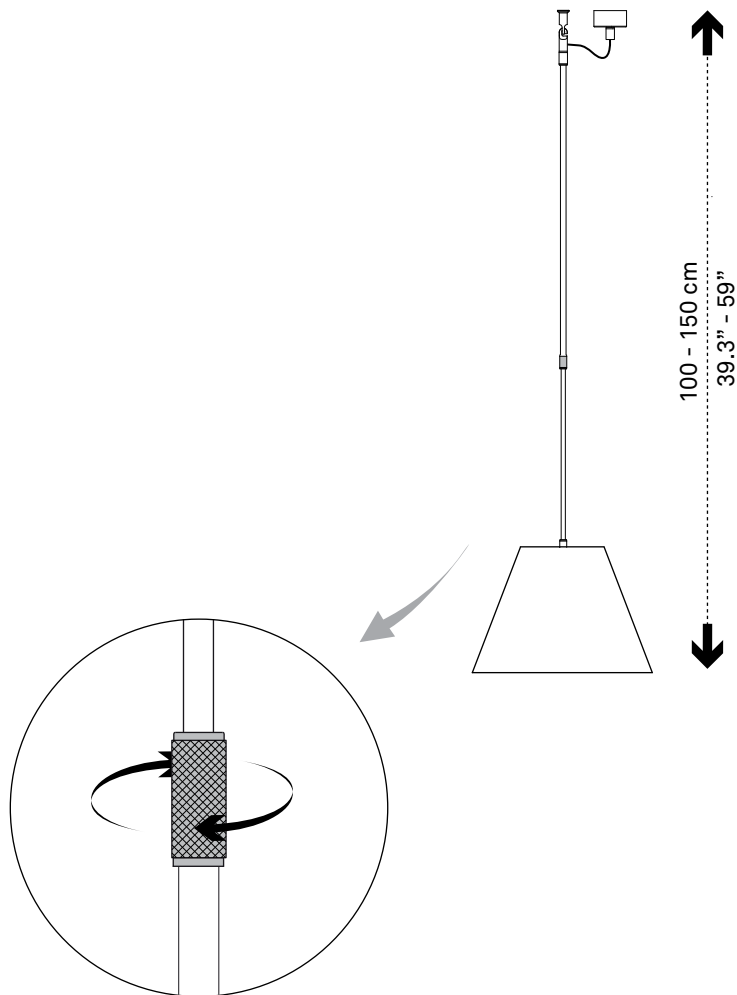


(D13/1/4)

# 1.10



## 1.11







[www.luceplan.com](http://www.luceplan.com)

D130I0228