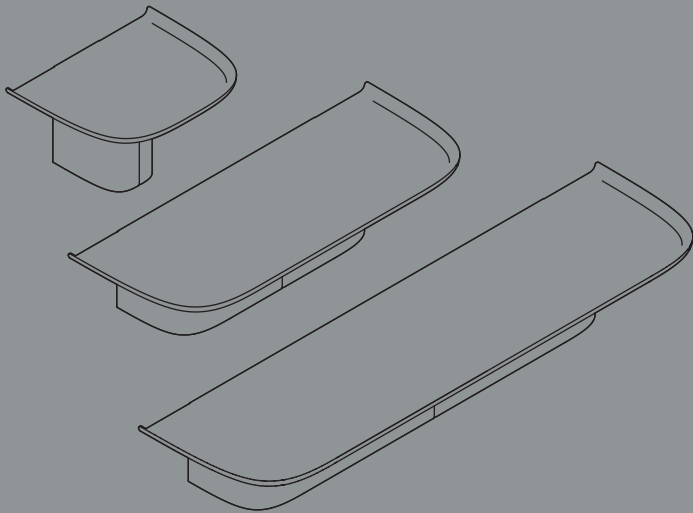
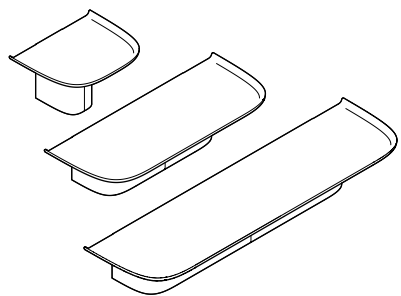


KORPUS SHELF



DESIGN BY ANDREAS BERGSAKER

KORPUS SHELF



DESIGN BY ANDREAS BERGSAKER



The provided wall plugs and screws are designed for brick wall or solid concrete only. Please identify your wall type before mounting and use alternative fastening hardware if needed. If in doubt, consult a professional.



When properly mounted to the wall:

Total max. load:

10 kg/22 lbs

Max. load on each individual hook:

5 kg/11 lbs

Follow the illustrated guide on the opposite side of this page along with this written guide.

- 1 Identify the size of your shelf and mark where to drill holes accordingly.
- 2 Drill holes using a drill bit that fits the size of your screws/wall plugs. If you are using the provided wall plugs, use a 8 mm (5/16") drill bit.
- 3 Identify your wall type. If it is a brick wall or solid concrete, insert the provided wall plugs. Other wall types may require other types of fastening. Consult a professional if in doubt.
- 4 Insert the screws. Leave an 8 mm (5/16") gap for the shelf to hang on.
- 5 Mount the shelf to the screws.
- 6 Push the shelf down so that it hangs on the screws. Make sure to insert the screws in the designated cut-outs, and not behind the hooks.
- 7 Finally, tighten the screws, without using too much force.

Our Care & Maintenance offers guidance for optimal maintenance of your HAY product. It includes advice and instructions on cleaning and caring for specific materials to prolong the life of your furniture.

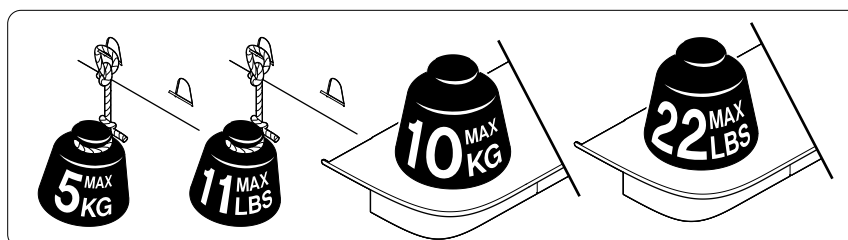
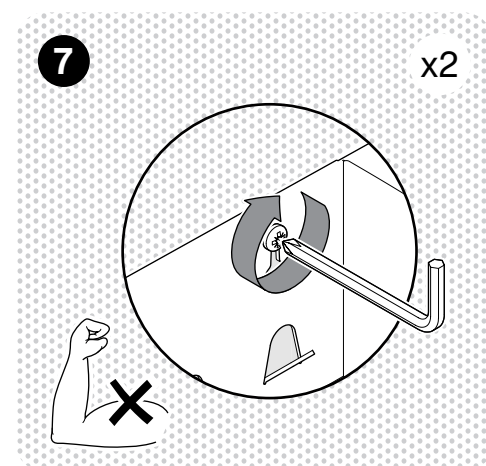
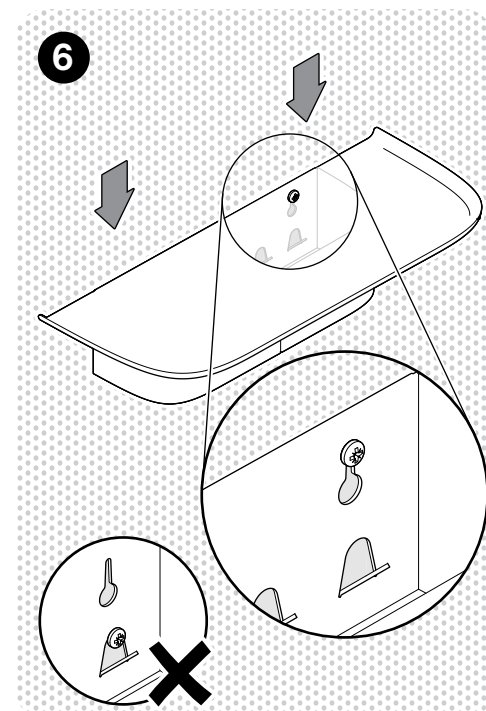
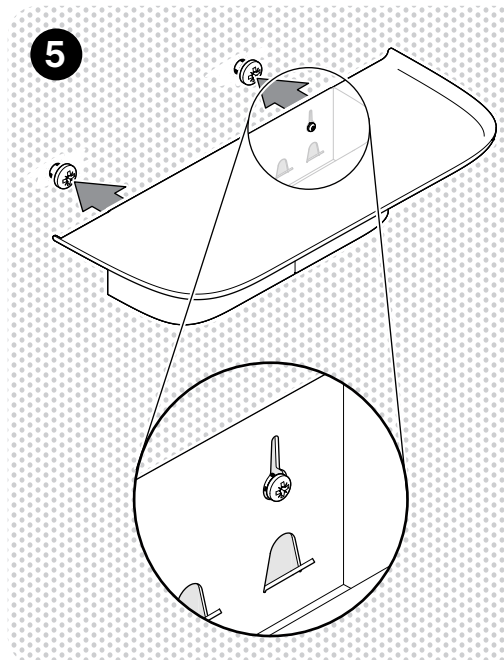
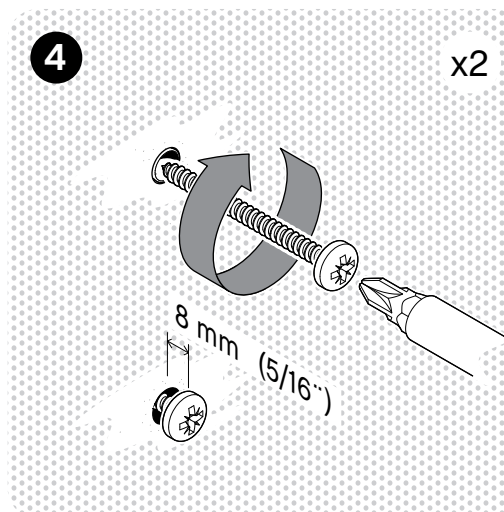
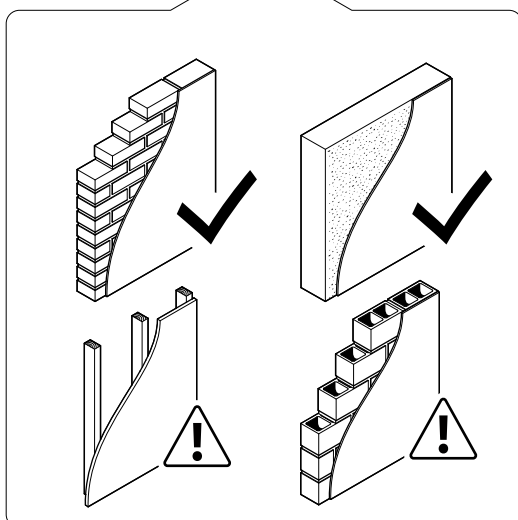
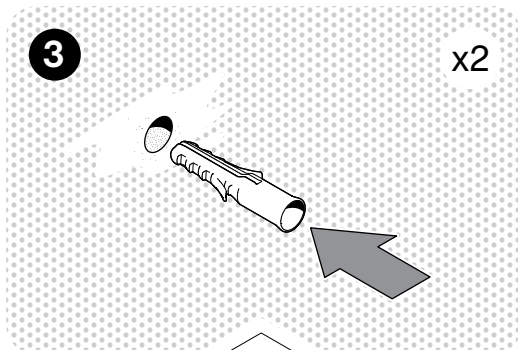
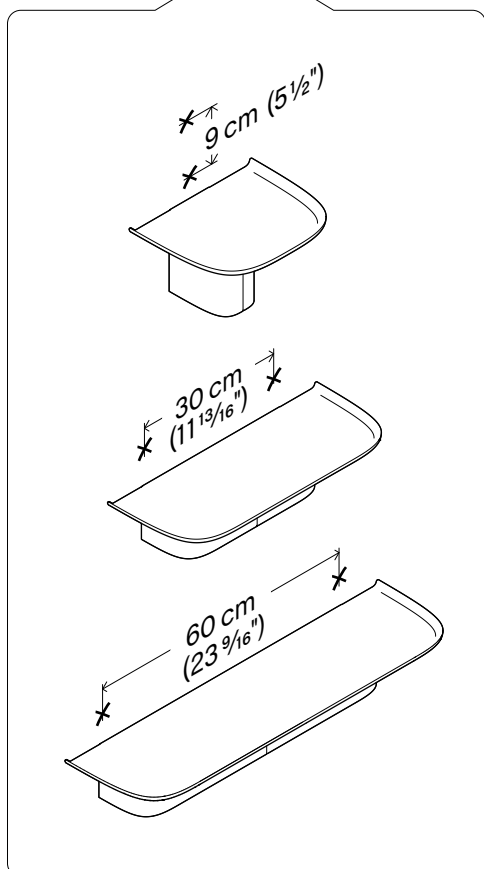
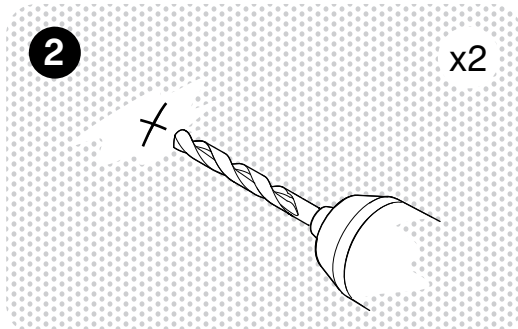
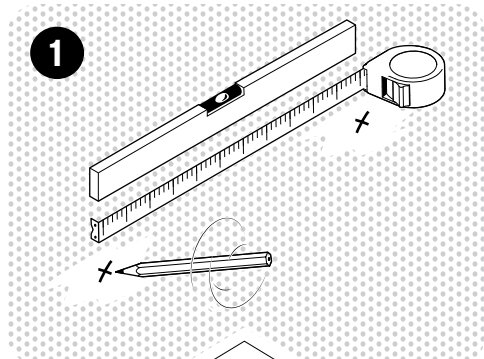
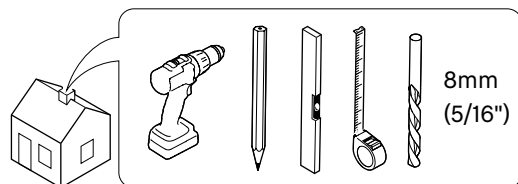
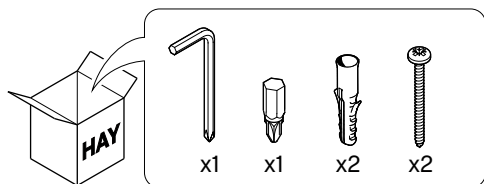


Please find our Care & Maintenance guide by scanning the QR code above.



You can find more relevant information on Korpus Shelf by scanning the QR code.

You can also find the same information at hay.dk/downloads



Havnen 1 8700 Horsens Denmark
+45 4282 0282 / hay@hay.com

www.hay.com

22/12/2021

HAY