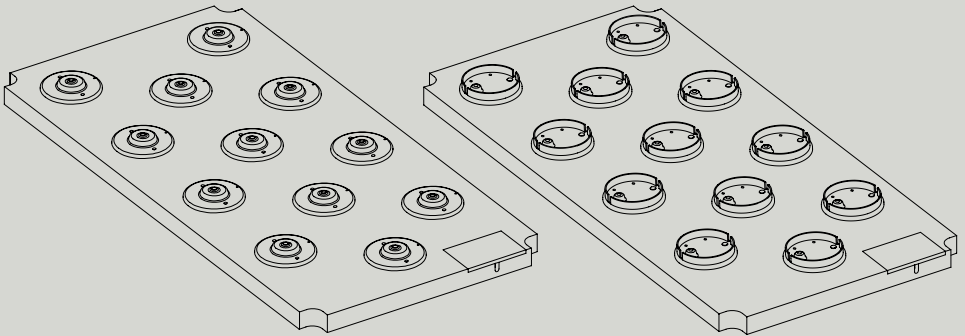


Instructions

Charging tray 2020

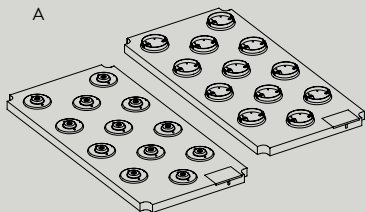


Congratulations on your new Charging tray, designed in 2020 by &Tradition. We hope you will enjoy using this product. Please follow these instructions to ensure correct installation. If you have any questions or comments, please do not hesitate to contact us by mail at: info@andtradition.com

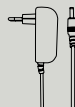
Charging tray 2020

Please read these instructions carefully and keep them for future reference to ensure that the product is used correctly. For your own safety, please read each step of this instruction manual before use. &Tradition is not responsible for any faults or damage caused by not following these instructions correctly. Do not modify this product in any way.

A



B



Contents

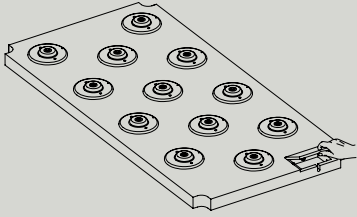
- A Charging tray (one charging tray included)
- B Power supply

Safety precautions

- Dispose of plastic bag from packaging immediately and keep out of reach of children.
- The tray is only intended for indoor use.
- Consult a professionally qualified electrician if in any doubt.
- Do not place the cable within reach of small children or anywhere there is a risk of it becoming a trip hazard.
- Keep product out of reach of children.

Cleaning instructions

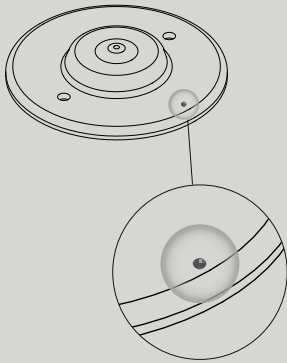
- Wipe surface with a soft dry cloth.
- Do not use any abrasive cleaning tools such as steel wool, scouring sponges or stiff brushes.



Step 1

The charging tray is delivered fully assembled.

Remove the lid to expose the electrical outlet.



Step 2

When the charging tray and the power supply are connected to the main power outlet and turned on, all lights will light in green.

When placing a portable lamp on top of the charging pad the light will turn red to indicate that the battery in the lamp is charging. This light will turn green when fully charged.

