



AYTM

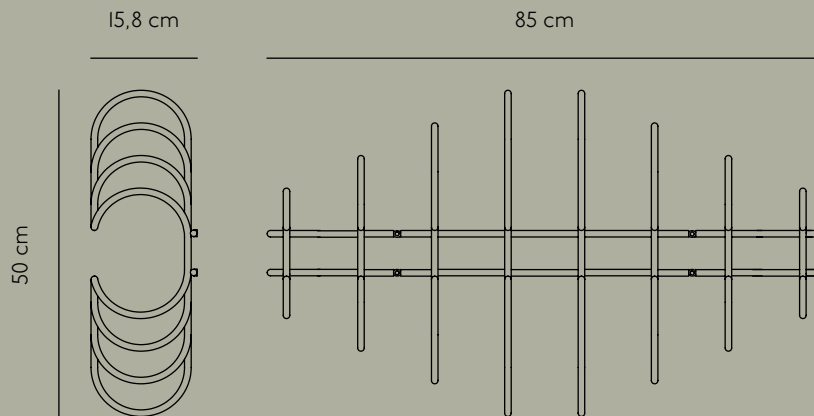
MOVEO COAT RACK(LARGE)

Product sheet

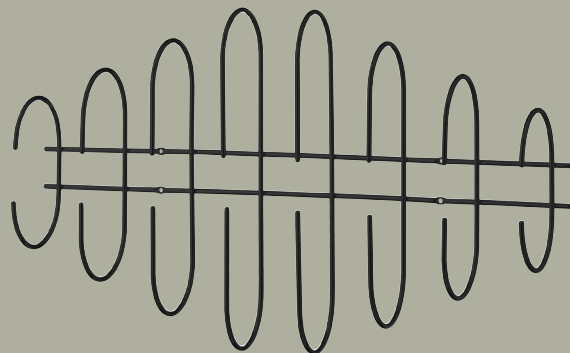
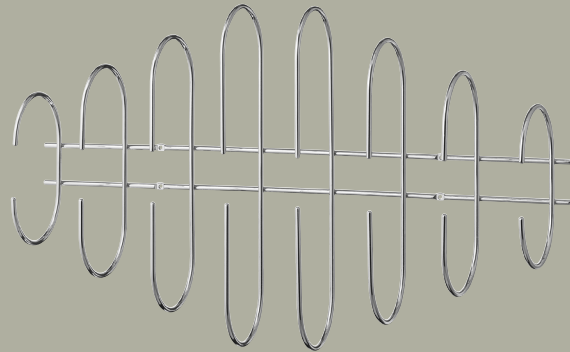
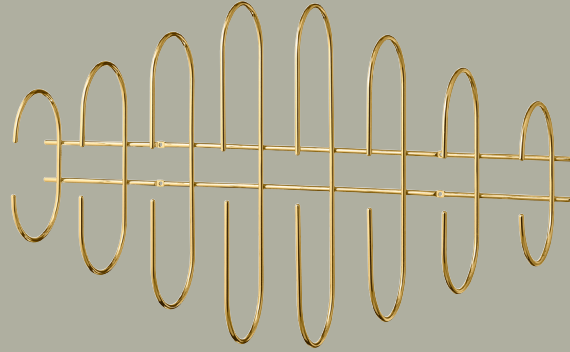


SPECIFICATIONS

<i>PRODUCT TYPE</i>	Coat rack
<i>PRODUCT NAME</i>	MOVEO
<i>COLOURS</i>	Gold Silver Black
<i>DIMENSION</i>	L:85 W:15,8 H:50 cm
<i>WEIGHT</i>	3,2 kg
<i>MATERIAL</i>	Steel w. brass plating Steel w. chrome plating Steel w. matte powder coating
<i>QUANTITY PER PARCEL</i>	1
<i>PACKAGING DIMENSIONS</i>	L:90 W:52 H:18 cm
<i>PACKAGING WEIGHT</i>	5,3 kg
<i>COMPLIANT WITH</i>	BS EN 16121 (:2013+A1:2017) ANSI/BIFMA X5.9-2019 Q/SKL 007-2019
<i>MAX LOAD</i>	25 kg



VARIATIONS



GOLD



Art. No.
507060005085

SILVER



Art. No.
507060004085

BLACK



Art. No.
507060050085

CARE GUIDE — METALS

HOW TO CLEAN / POLISH

PLATED IRON / STEEL / ALUMINIUM

To get rid of dirt and dust, mix a mild detergent with warm water.
Dip a soft cloth into the water & wipe the item down with the cloth.
If necessary, wipe the item dry with a soft dry cloth.

(Avoid scraping with an abrasive cloth, that could damage the surface)

POWDER COATED IRON / STEEL / ALUMINIUM

To get rid of dirt and dust, mix a mild detergent with warm water.
Dip a lint free cloth into the water & wipe the item down with the cloth.
If necessary, wipe the item dry with a soft dry cloth.

(Avoid scraping or rubbing the powder coating with an abrasive cloth that could damage or remove the coating from the surface)