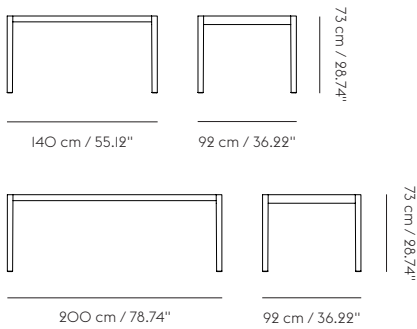


WORKSHOP TABLE

CECILIE MANZ ON THE DESIGN “The Workshop Table is a design that is pared down to the essence. Deliberately simple in its expression, the table has an almost archetypal appearance that comes from a wish to make as little noise as possible—the details and joints are doing all the talking.”



Height to apron (short side) 65 cm / 25.6"
 Height to apron (long side) 67,5 cm / 26.6"

**READY-TO-SHIP OPTIONS
 TABLETOP/FRAME**



DESIGNED BY / YEAR OF DESIGN

Cecilie Manz / 2020

ABOUT THE DESIGNER

Cecilie Manz graduated from the design school Danmarks Designskole in Copenhagen in 1997 with additional studies at the University of Art and Design in Helsinki; Cecilie Manz founded her own design studio in Copenhagen in 1998. Here, Cecilie Manz has established herself as one of Denmark's most prominent designers. Her work within furniture, glass, lighting and ceramics has achieved international success and is sold and exhibited all over the world.

CATEGORY

Multi-functional table

ENVIRONMENT

Indoor

COUNTRY OF PRODUCTION

Denmark

PREASSEMBLED

No - mount legs to tabletop.

DESCRIPTION

The Workshop Table joins together the ideals of Scandinavian craftsmanship and subtle detailing, making for a deliberately simple and archetypal expression. With its tabletop in either oak veneer or linoleum harmoniously carving itself into the frame of solid oak, the Workshop Table brings a refined and understated appearance to any space.

MATERIAL

Frame and legs are made from lacquered solid oak. Black version comes in water-based lacquered oak. Oak version comes with a matte clear water-based lacquer. Table top with a lacquered oak veneer or linoleum finish.

CLEANING AND CARE

Clean the table with a damp cloth. If necessary, only use a mild detergent or washing up liquid and not concentrated. Always wipe with a dry cloth afterwards. To minimize the risk of stains and marks, liquid, grease etc. should be removed straight away.

TEST & CERTIFICATIONS

EN 15372:2016 - L3: Extreme use. Furniture – Strength, durability and safety – Requirements for non-domestic tables.

ANSI/BIFMA X5.5-2014. American National Standard for Office Furnishings-Desk Products.