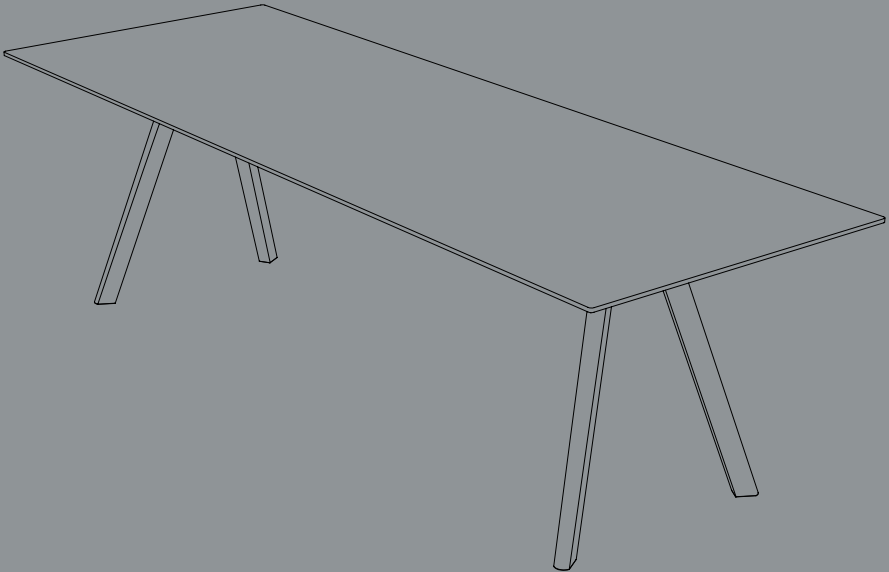


- INSTRUCTION MANUAL -

COPENHAGUE TABLE CPH 30



DESIGN BY RONAN & ERWAN BOUROULLEC

HAY

Copenhagen is a furniture series designed by Ronan and Erwan Bouroullec designed especially for the University of Copenhagen in 2013. In addition to a homely and welcoming expression, functionality, durability and ease of cleaning were important design requirements for the university. The Bouroullec brothers approached the task by merging design history with modern technology in an idiom with a strong and independent appearance in a broad and versatile series that embraces both public and private environments.

CAUTION

With a little care you can prolong the life of your furniture. Follow the instructions for the materials of your specific product to make sure that it stays in the best shape for as long as possible.

The information below is only intended as a general guideline. For more information on how to remove specific stains, please enquire where you bought the furniture.

- / Always remove stains quickly before they can do any permanent damage to the furniture.
- / Avoid placing the table in direct sunlight or near a heat source to reduce changes. As wood is a natural material, it will change in colour and will patinate over time.
- / When you move your furniture, make sure you lift it rather than pulling or pushing it to avoid damaging the floor, legs and mountings.
- / Tighten up the screws after one to two months' use and whenever required.
- / Avoid improper use such as putting your feet on the table or standing on it.
- / Use coasters under damp, hot or coloured objects to avoid permanent stains.
- / Be careful not to scratch or damage the surface with sharp objects.
- / Avoid partially covering the surface, for example with tablecloths or place mats, as colour variances may appear.

LACQUERED OR STAINED WOOD

- / Wipe with a clean cloth wrung in water or in a solution of water and a neutral detergent. Remove soap residue immediately using a clean, dry cloth.
- / If the surface is scratched or appears matt, use a care product especially suited to lacquered or stained wood.
- / Avoid using detergents containing silicone, as they seal the stain in and make subsequent repairs more difficult.
- / Avoid using scouring cream or scouring pads, as they may scratch the surface.

SOAPED WOOD

- / Wipe with a clean cloth wrung in water or in a solution of water and a neutral detergent or soap flakes. Remove soap residue immediately using a clean, dry cloth.
- / To remove stains, clean and scrub using a thick solution of soap flakes that should not stay on the wood for more than two minutes. Then remove the remaining soap residue using a damp cloth.
- / If the grain of the wood rises after cleaning, gently sand down the wood using fine-grit sandpaper (No. 220), always going with the grain.
- / If the surface is scratched or appears matt, use a care product especially suited to soaped wood.

LINOLEUM

- / Wipe with a clean cloth wrung in water or in a solution of water and a neutral detergent or soap flakes. Remove soap residue immediately using a clean, dry cloth.
- / If the surface is scratched or appears matt, use a care product especially suited to linoleum.
- / Stains may be carefully removed using white spirit (mineral spirit) or a damp nano sponge dipped in lukewarm water or linoleum care product. Follow up immediately with a clean, dry cloth. Never use the nano sponge dry.
- / Avoid alkaline detergents such as soft (yellow soap, washing soda, lye and scouring powder).

LAMINATE

- / Wipe with a clean cloth wrung in water or in a solution of water and a neutral detergent. Remove soap residue immediately using a clean, dry cloth.
- / Stains may be carefully removed using household ammonia or with a clean, damp cloth or a nano sponge wrung in warm water. Never use the nano sponge dry. Follow up immediately with a clean, dry cloth.
- / Avoid using scouring cream or scouring pads, as they may scratch the surface.

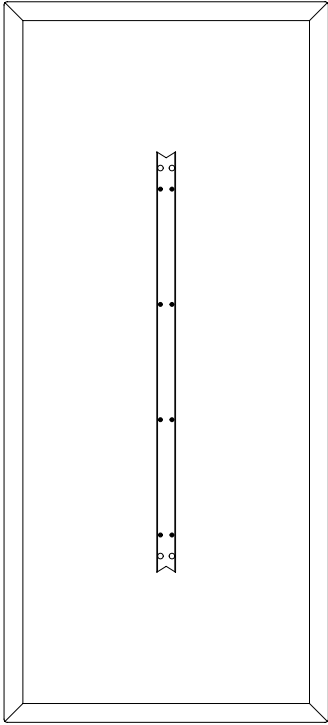
- INSTRUCTION MANUAL -

L200 / 250 / 300 X W90 X H74 CM

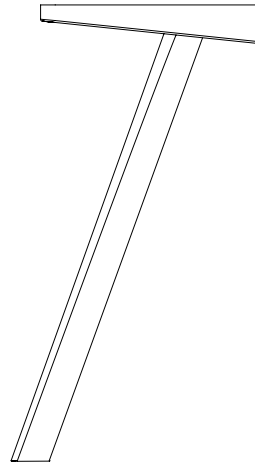
L200 X W80 X H105 CM



- PARTS -



A x 1



B x 4



C x 12



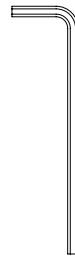
D x 6



E x 12



F x 12



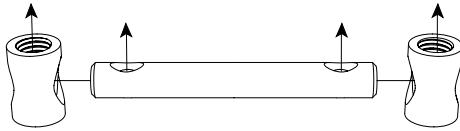
Allen key

- NOTE ON HOW TO USE THE ASSEMBLY BRACKETS -

The instructions below show how to assemble the brackets, which appear in different steps throughout the instruction manual. Do not assemble them before the rest of the table, but wait until the relevant steps require their assembly.

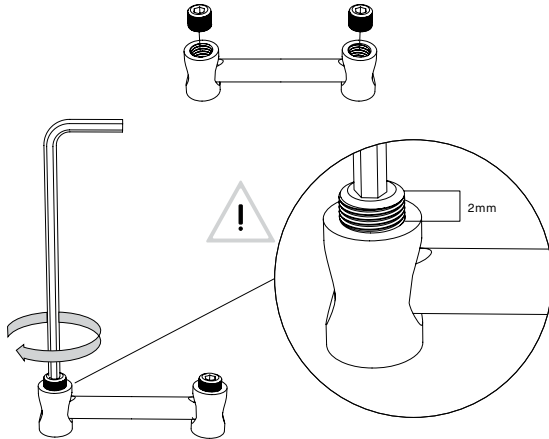
1.

Place the 2 x **C** parts with the threads facing up and the side holes facing each other. Insert the **D** part with the tapered holes facing up in the **C** parts' side holes.



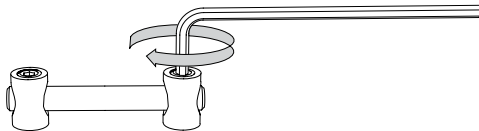
2.

Insert the **E** parts into the **C** parts and screw each of them half way in a first phase, to make sure they both fit the **D** parts tapered holes.



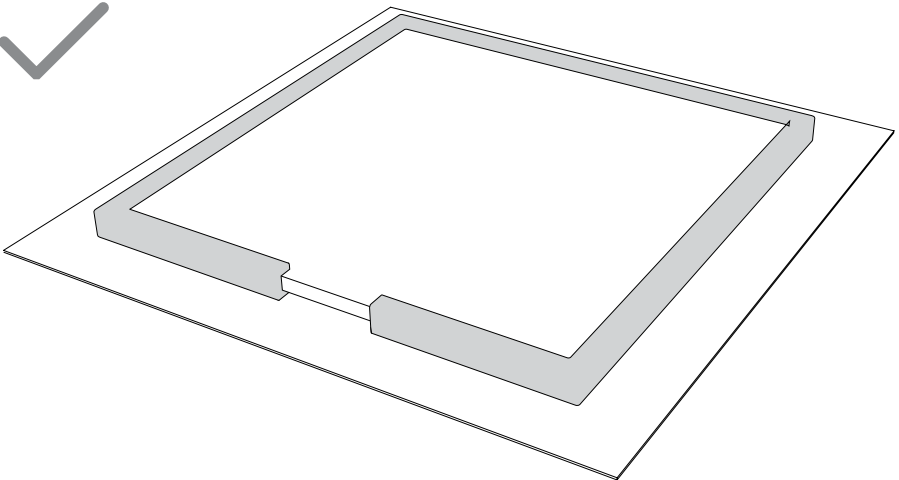
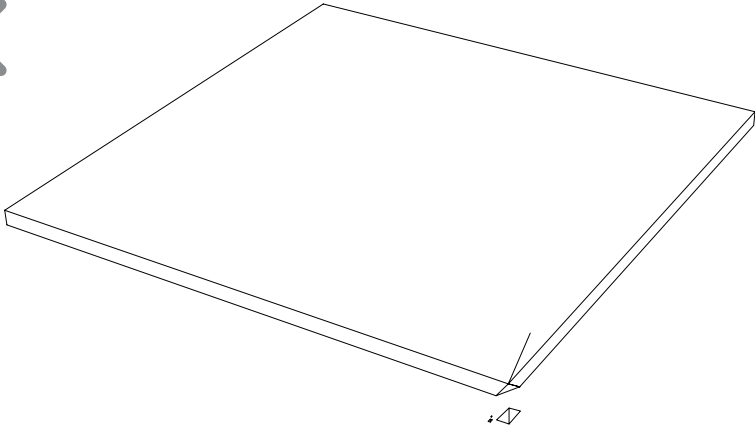
3.

Tighten the **E** parts completely.



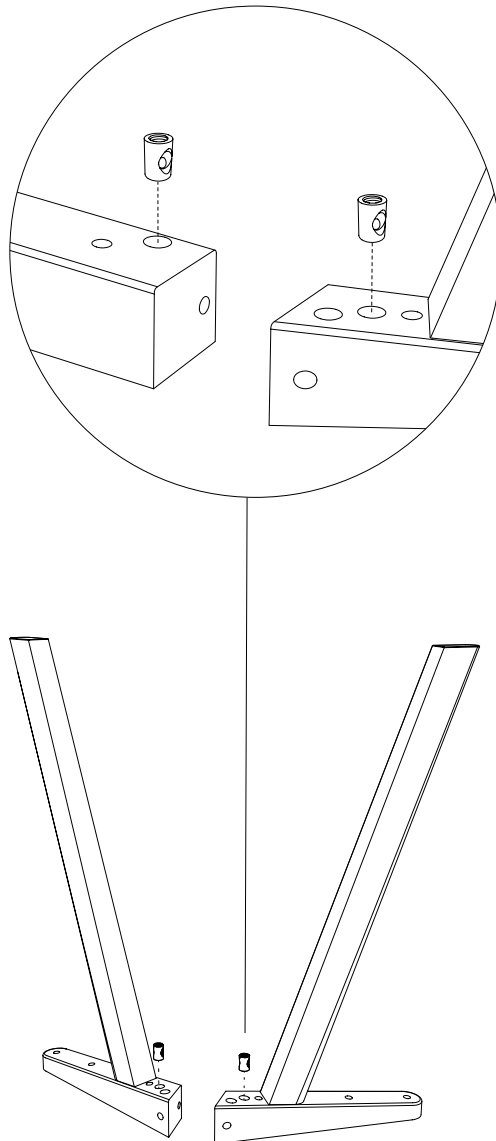
1.

While assembling, keep the table inside the cardboard box with foam edge in order to protect the tabletop from scratches etc. Make sure that all parts are included.



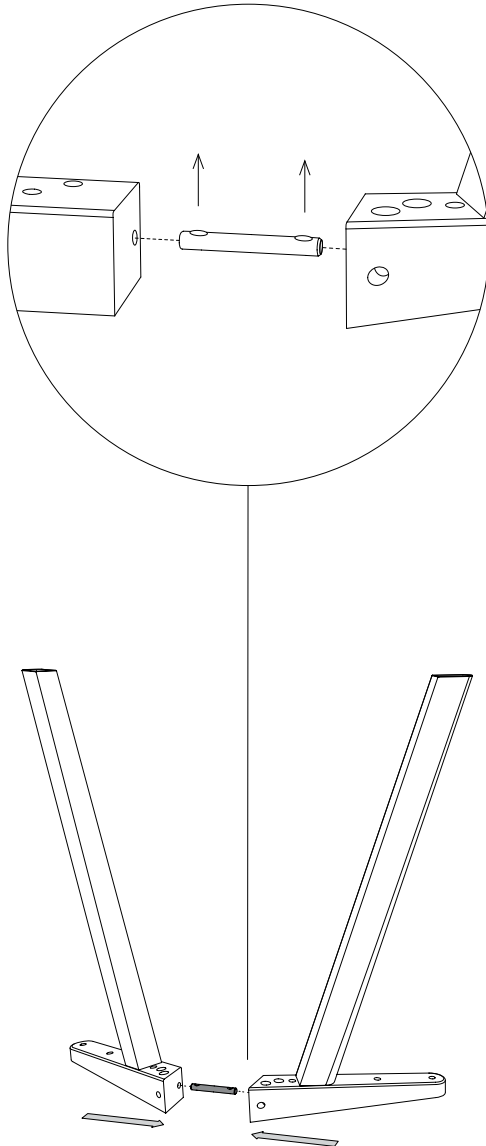
2.

Place 2 of the **C** parts in the holes as indicated. Make sure that the threads are pointing upwards and that the holes are facing each other.



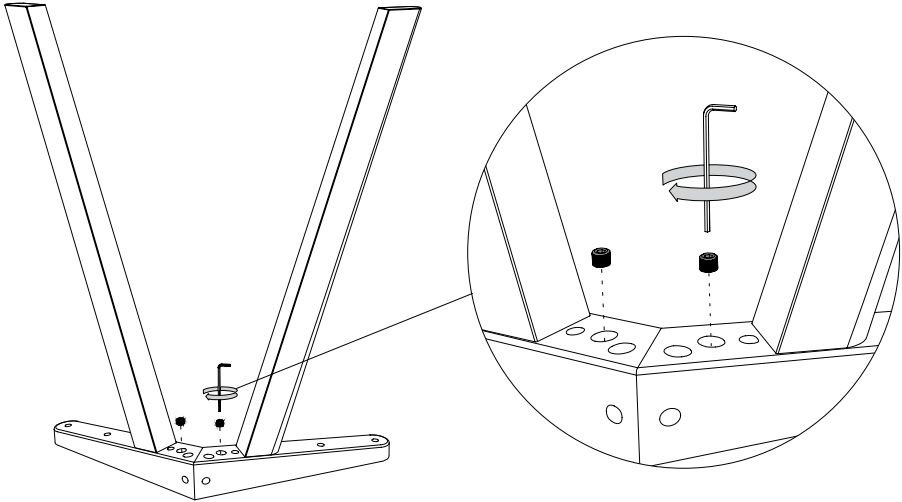
3.

Place 1 of the **D** parts in the holes as indicated. Make sure that the tapered holes are pointing upwards.



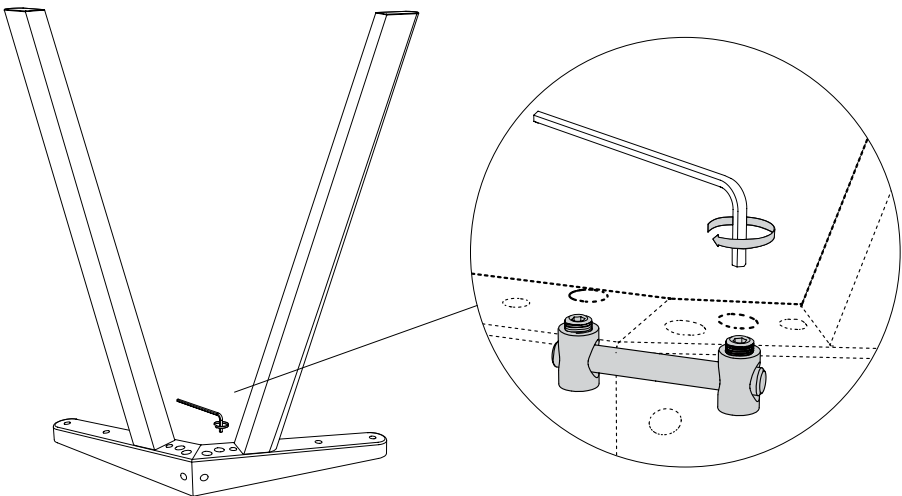
4.

Drop 2 of the **E** parts into the holes as indicated and make sure to hit the **D** parts' tapered holes. Gently tighten all 4 **E** parts little by little with the Allen key.



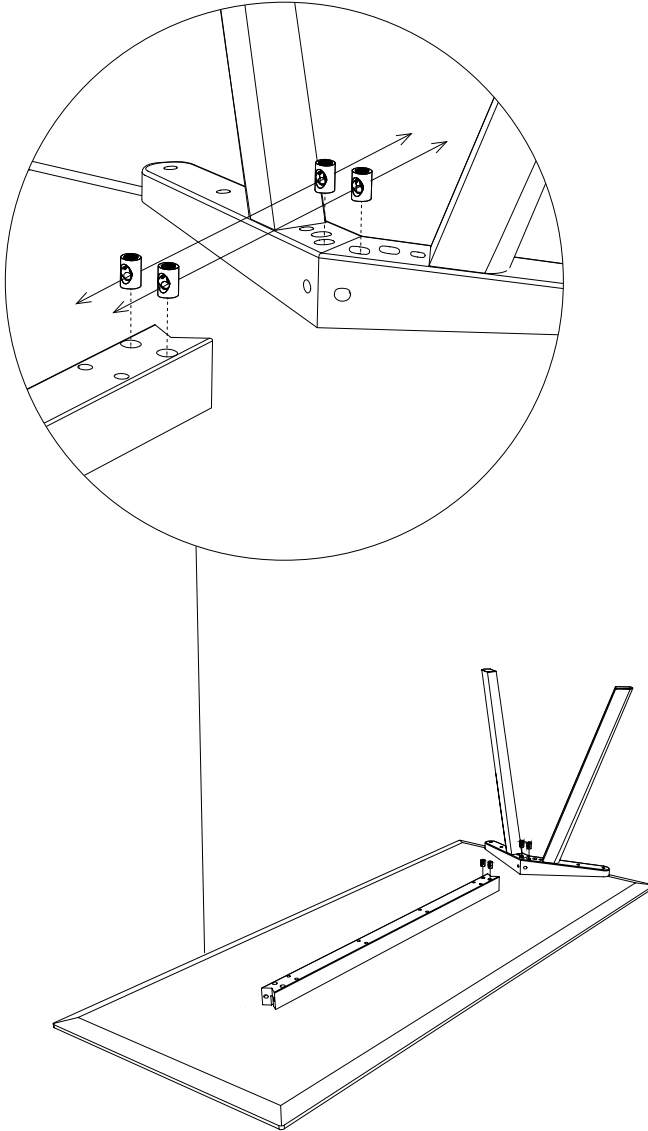
5.

Tighten both of the **E** parts completely.
Repeat steps 2 - 5 at the other end of the table.



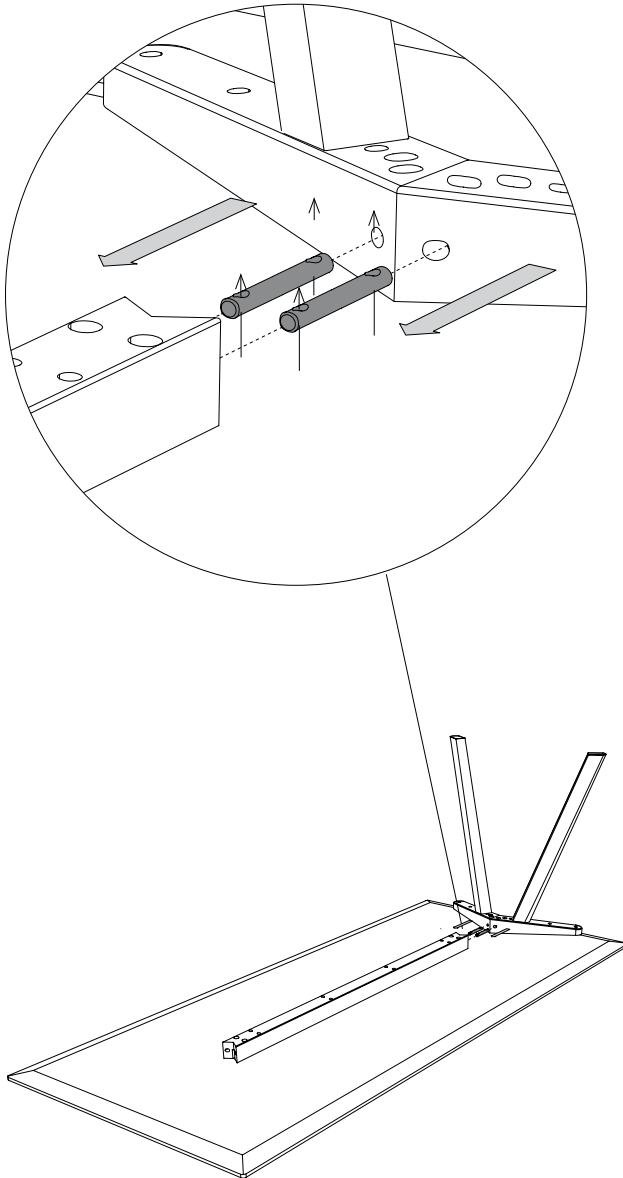
6.

Place 4 of the **C** parts in the holes as indicated. Make sure that the threads are pointing upwards and that the holes are facing each other.



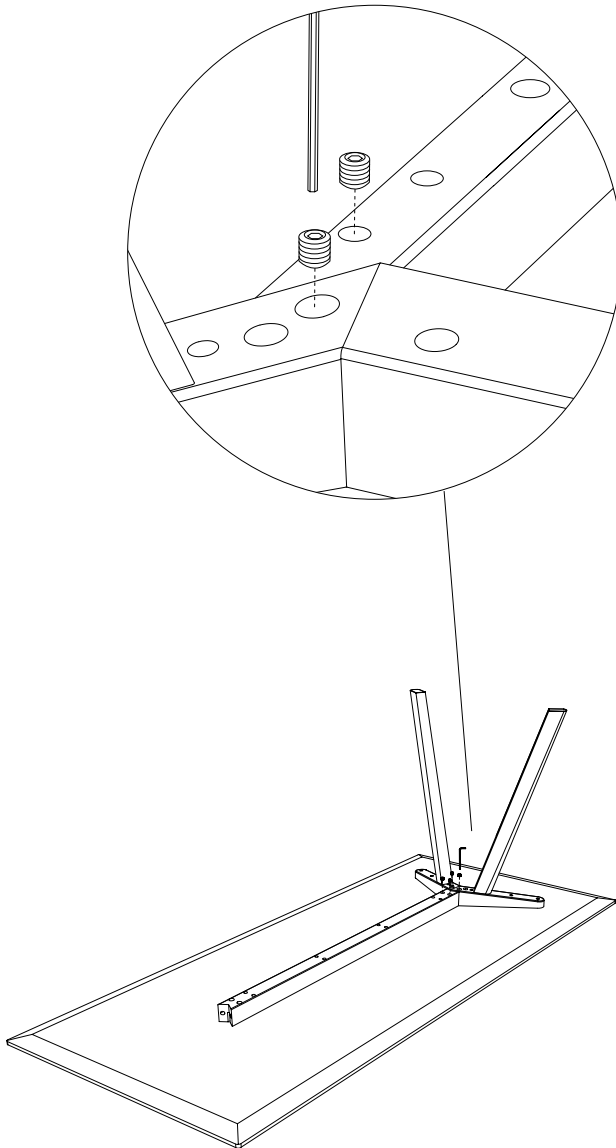
7.

Place 2 of the **D** parts in the holes as indicated at the same time.
Make sure that the tapered holes are pointing upwards.



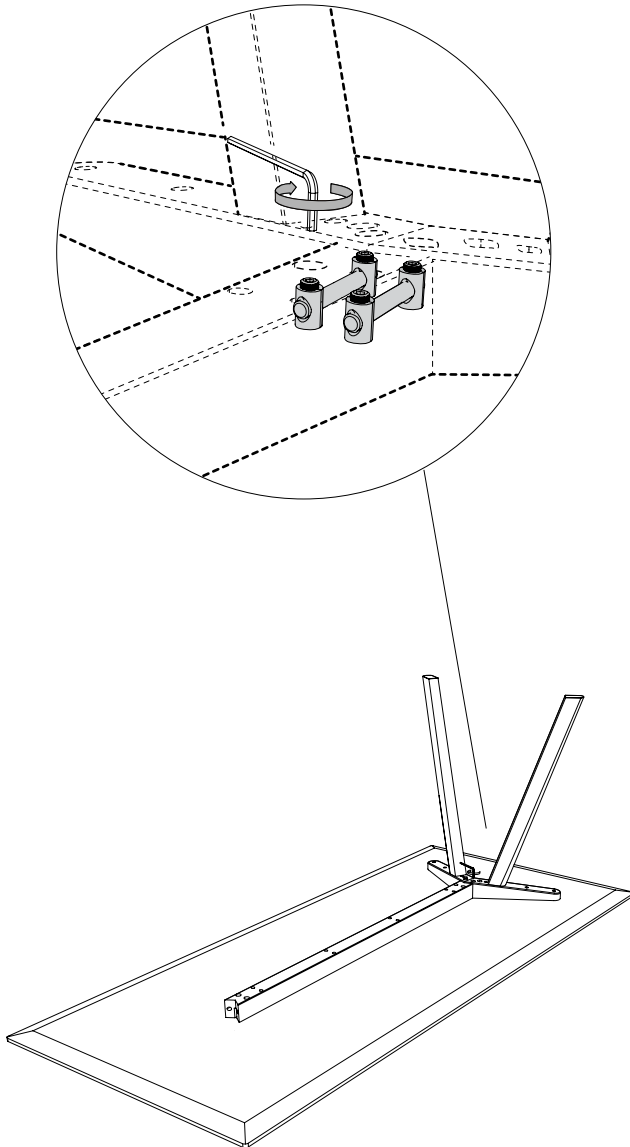
8.

Drop 4 of the **E** parts into the holes as indicated and make sure that they fit the **D** parts' tapered holes. Gently tighten all **E** parts little by little.



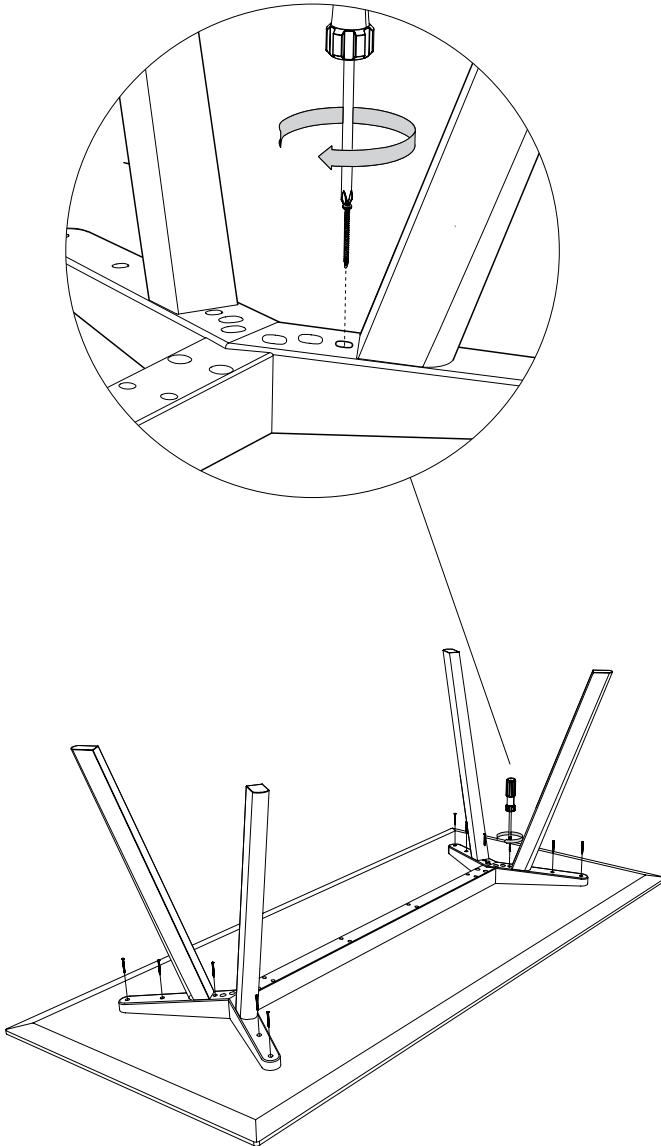
9.

Tighten all **E** parts completely. Repeat steps 6 - 8 at the other end of the table.



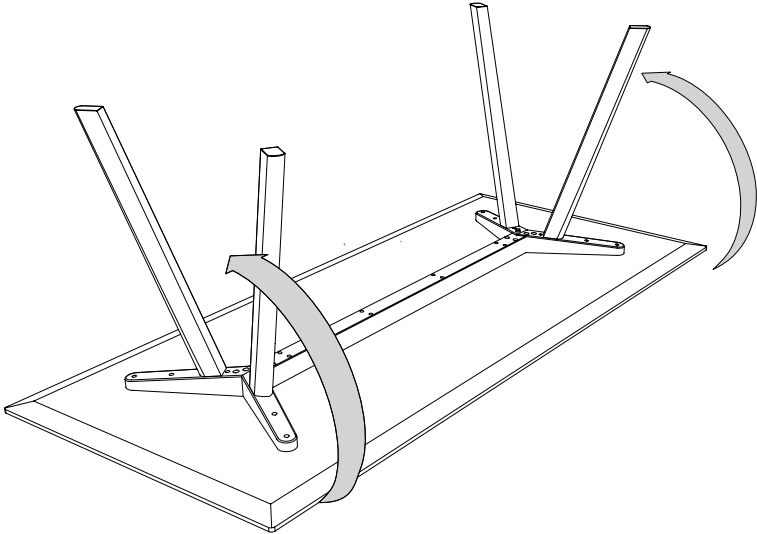
10.

Use a proper screwdriver to fasten part **F** in the remaining free holes in the frame.

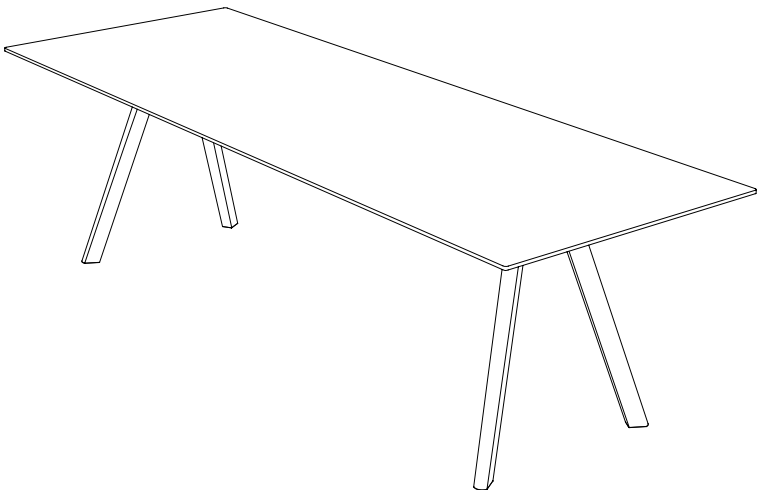


11.

Turn the table over (2 persons recommended).



12.

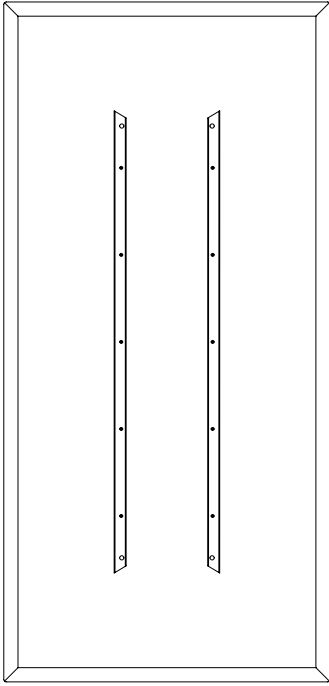


- INSTRUCTION MANUAL -

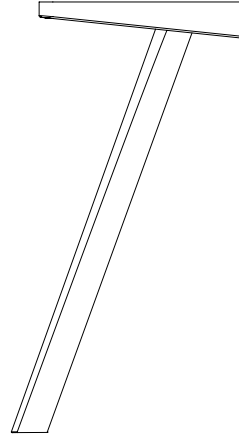
250 / 300 X W120 X H74 CM



- PARTS -



A x 1



B x 4



G x 2



C x 16



D x 8



E x 16



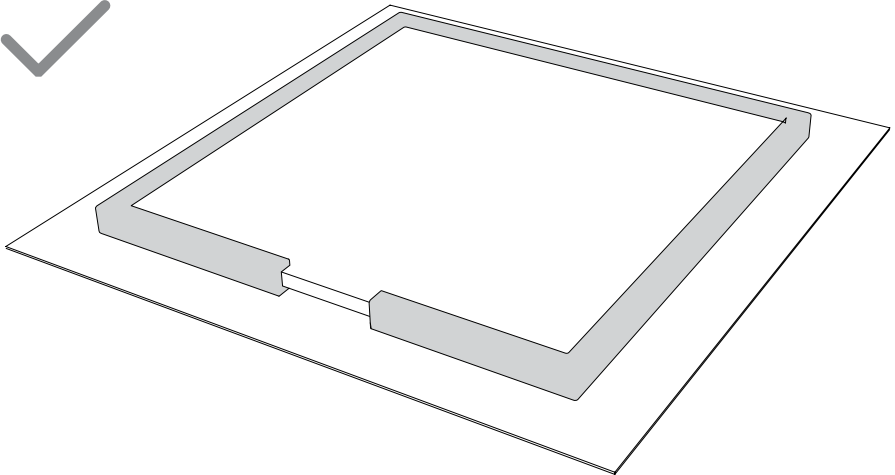
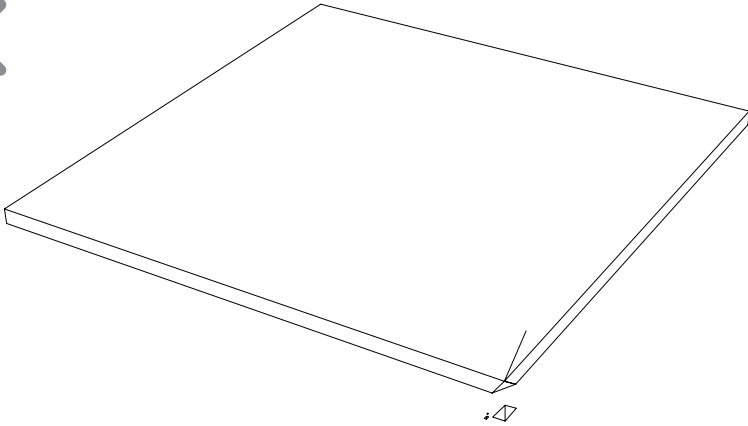
F x 16



Allen key

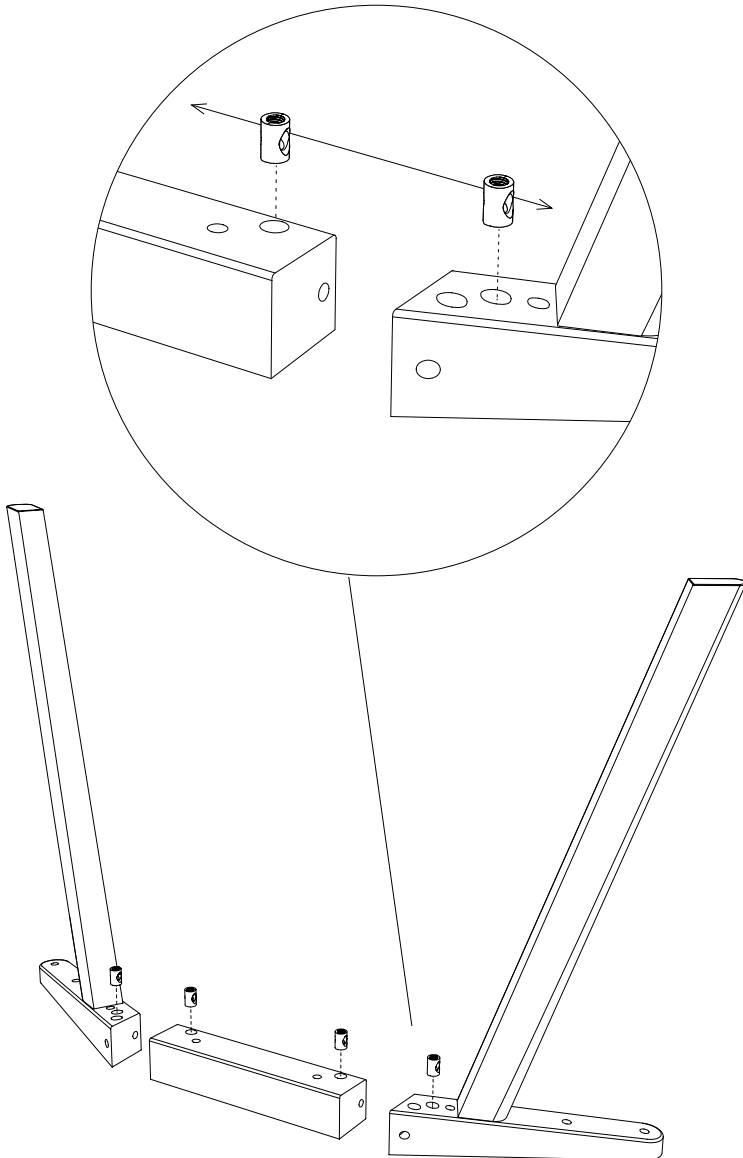
1.

While assembling, keep the table inside the cardboard box with foam edge in order to protect the tabletop from scratches etc. Make sure that all parts are included.



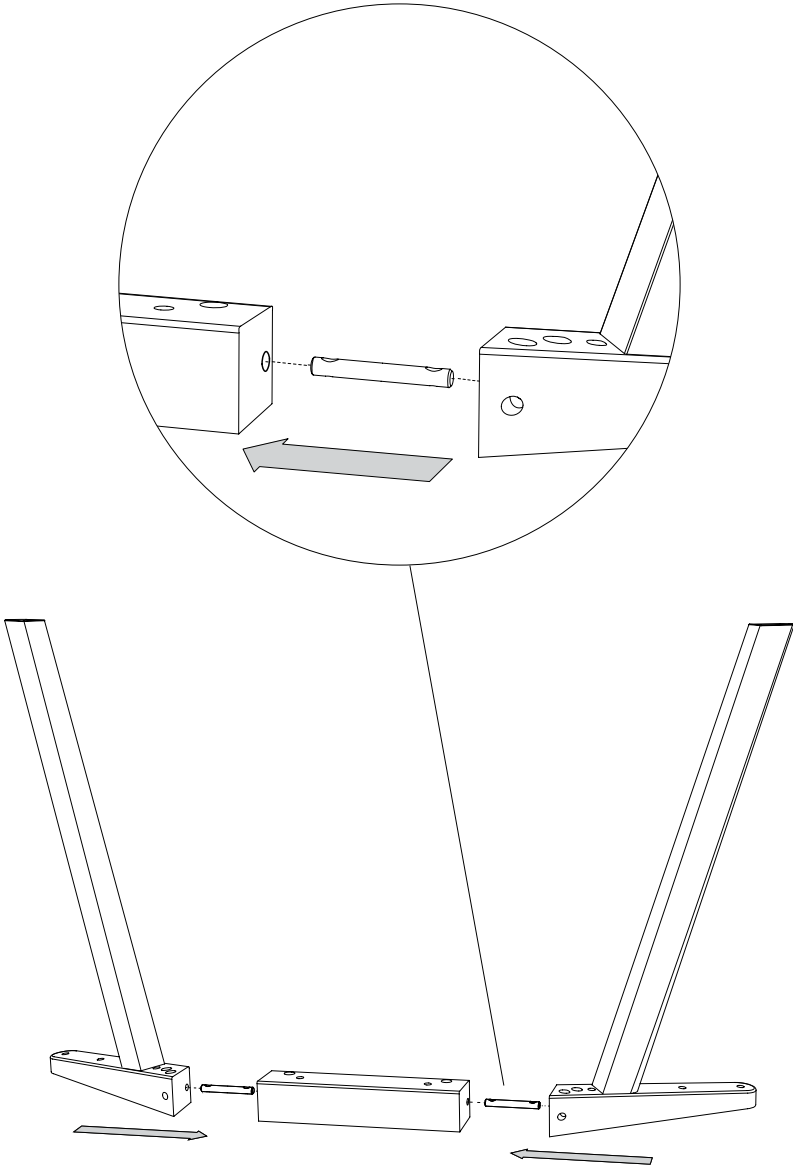
2.

Place 4 of the **C** parts in the holes as indicated. Make sure that the threads are pointing upwards and that the holes are facing each other.



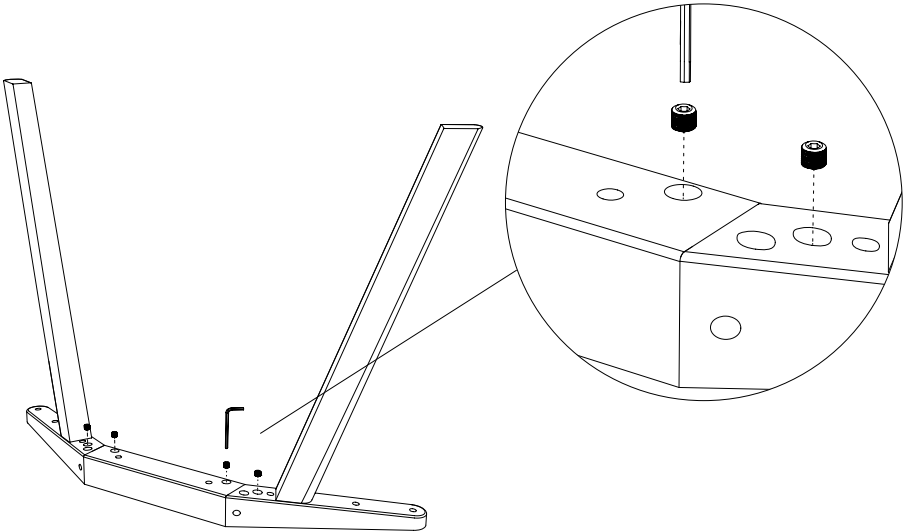
3.

Place 2 of the **D** parts in the holes as indicated. Make sure that the tapered holes are pointing upwards.



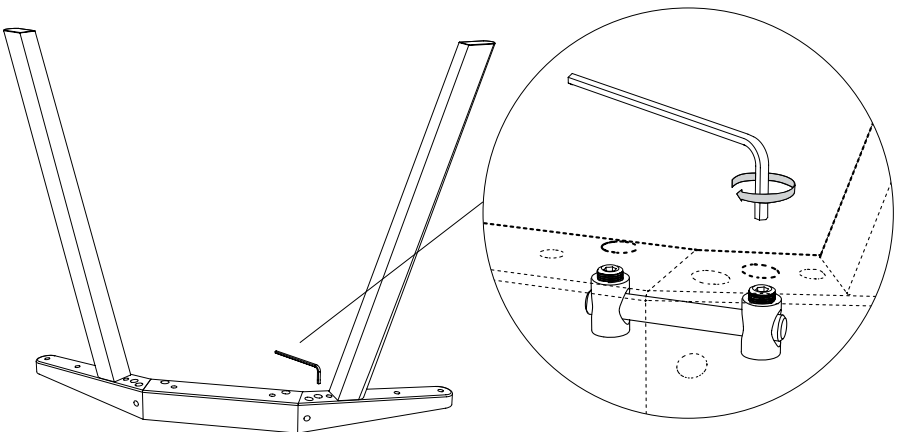
4.

Drop 4 of the **E** parts into the holes as indicated and make sure they fit the E parts' tapered holes. Gently tighten all 4 **E** parts little by little with the Allen key.



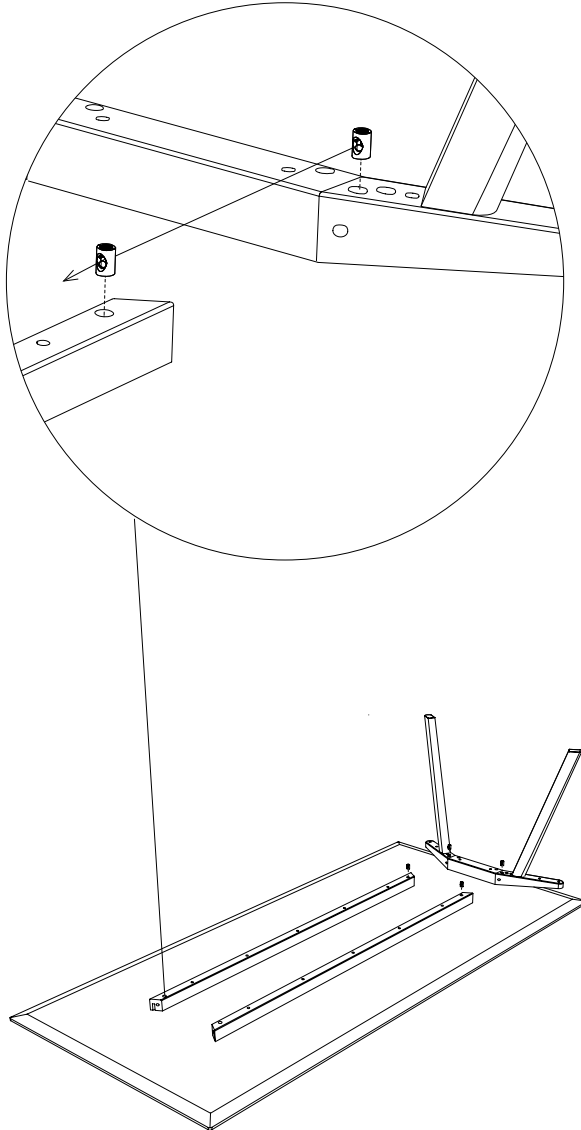
5.

Tighten all **E** parts completely. Repeat steps 2 - 5 at the other end of the table.



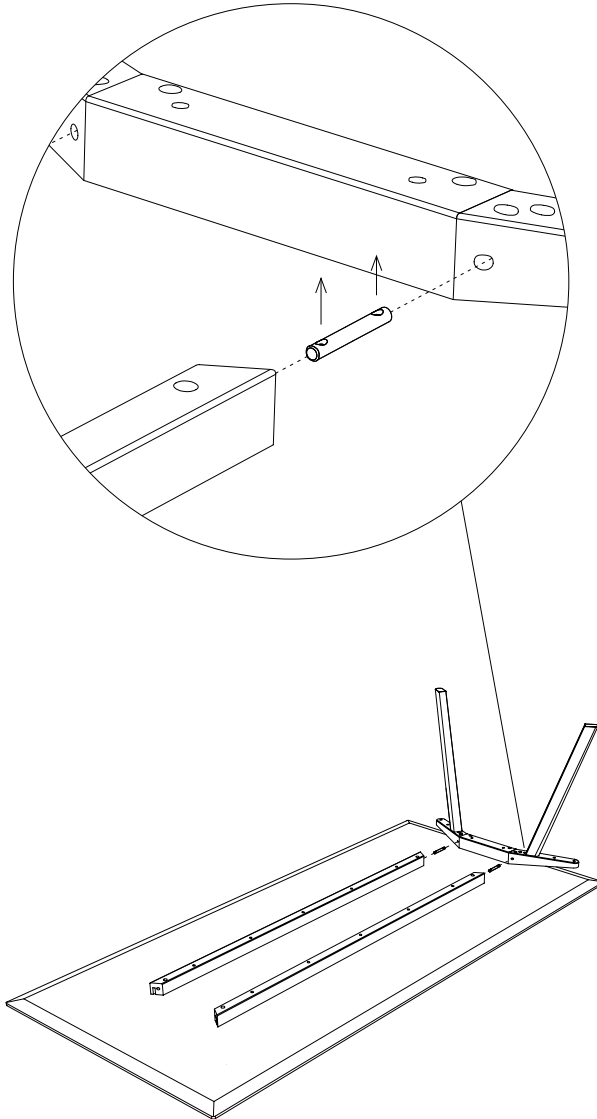
6.

Place 4 of the **C** parts in the holes as indicated. Make sure that the threads are pointing upwards and that the holes are facing each other.



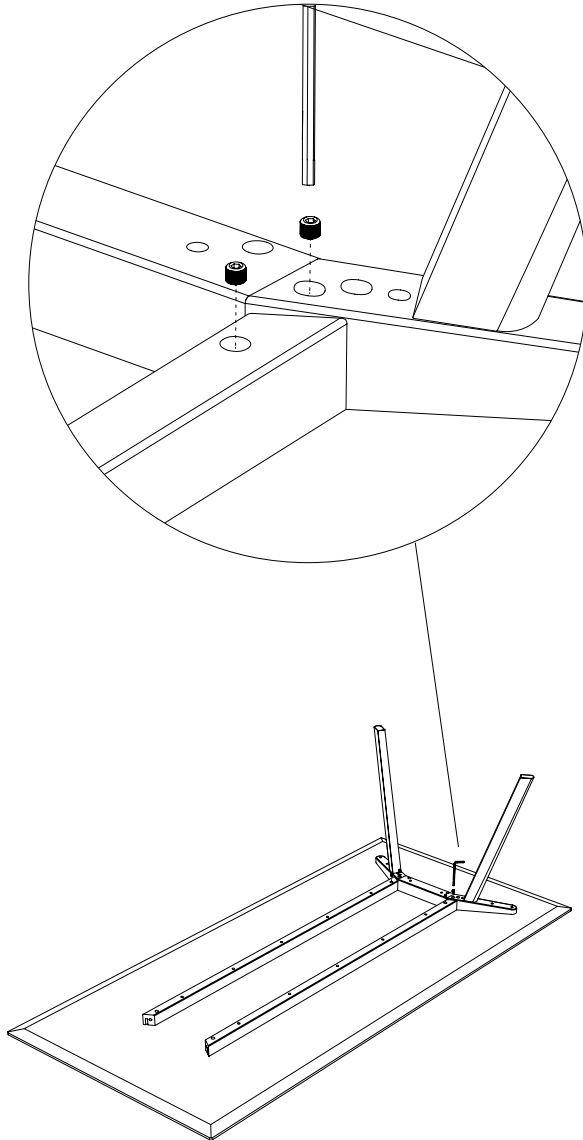
7.

Place 2 of the **D** parts in the holes as indicated at the same time.
Make sure that the tapered holes are pointing upwards.



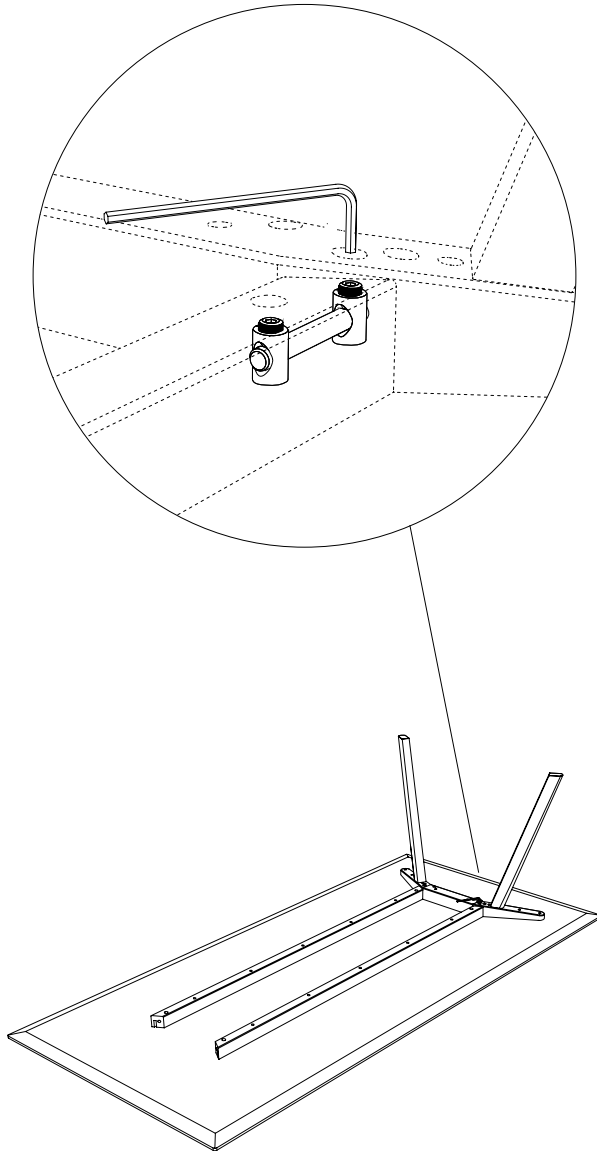
8.

Drop 4 of the **E** parts in the holes as indicated and make sure they fit the E parts' tapered holes. Gently tighten all **E** parts little by little.



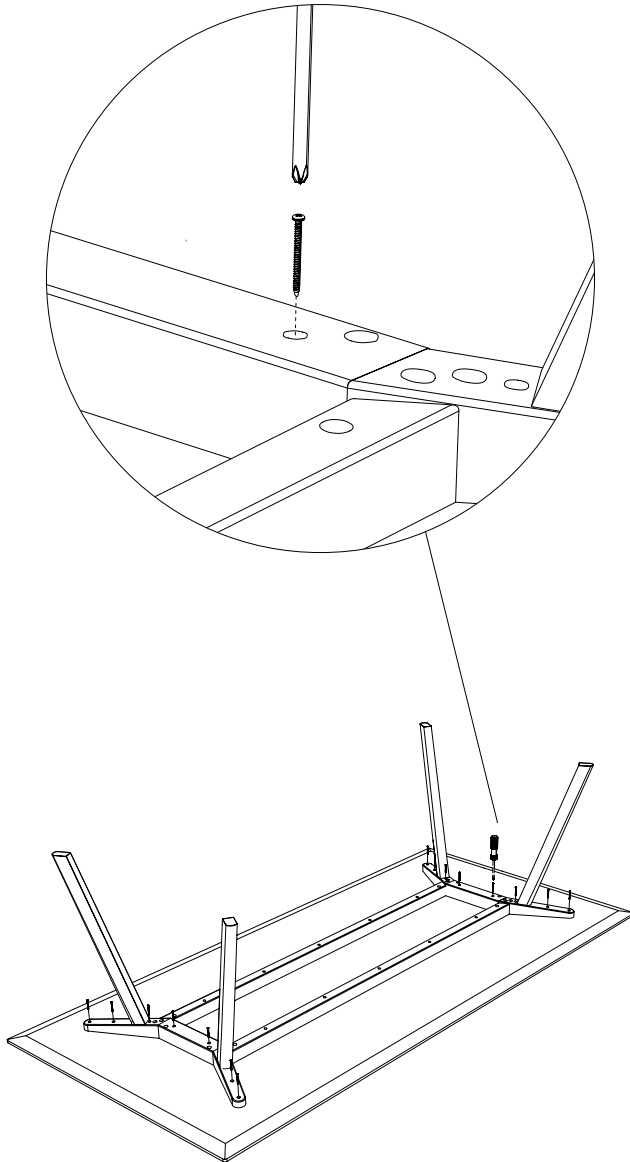
9.

Tighten all **E** parts completely. Repeat steps 6 - 9 at the other end of the table.



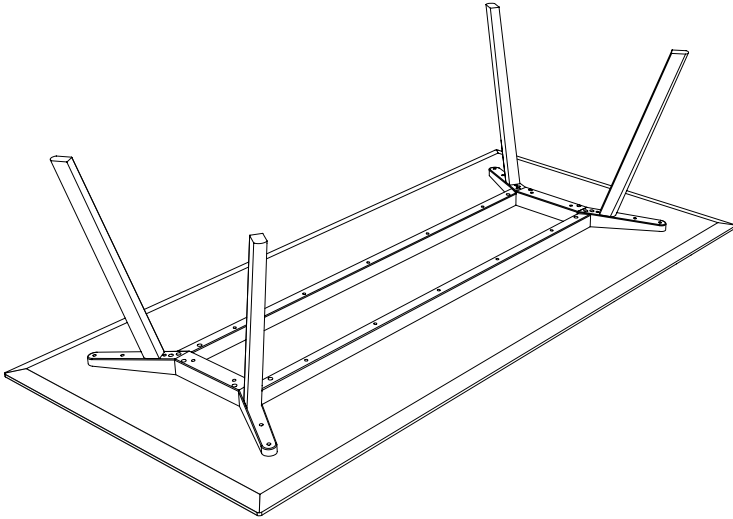
10.

Use a proper screwdriver to fasten part **F** in the free holes in the frame.



11.

Turn the table over (2 persons recommended).



12.



Havnen 1 8700 Horsens Denmark
+45 4282 0282 / hay@hay.com

070520

HAY