

LEVEL TABLES

PRODUCT INFO



ferm
LIVING



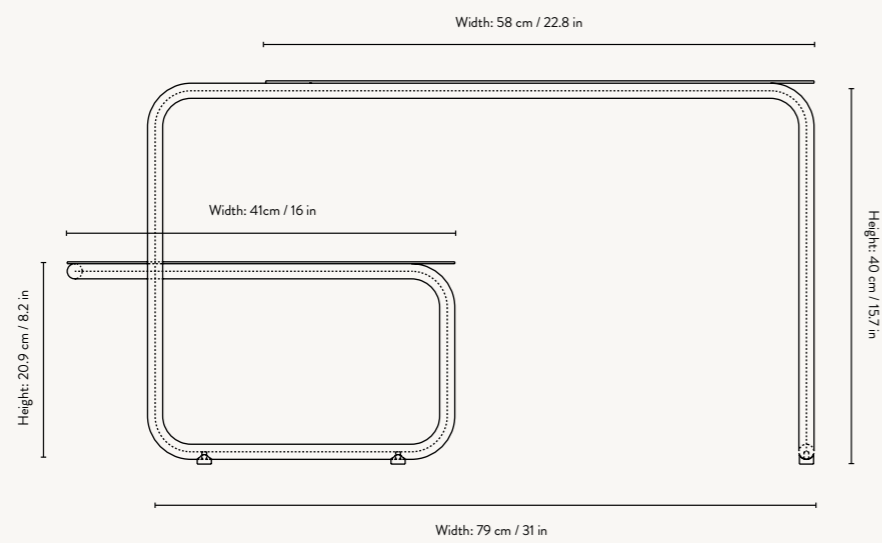
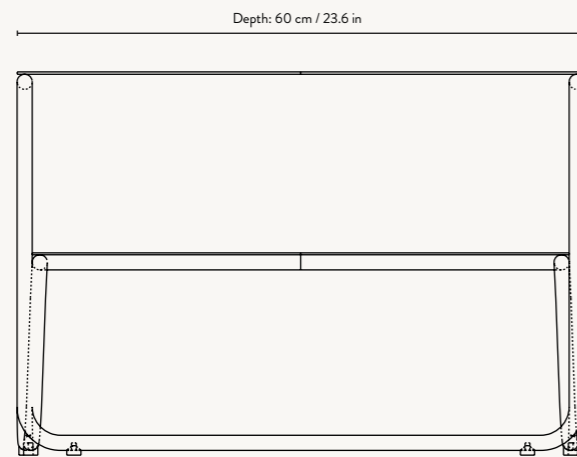
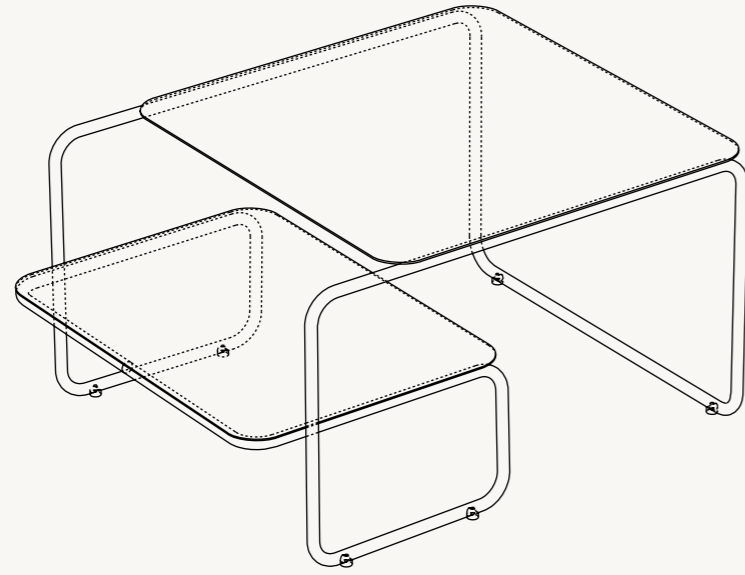
LEVEL TABLES

With their intriguing, asymmetrical profile, the Level Tables presents a modern expression based on a solitary geometric form: its frame made from a single continual line. With two levels that offer ample surface space, the table is ideal for extra storage. The Level Tables crafted from powder coated steel, and can be used both indoors and out.

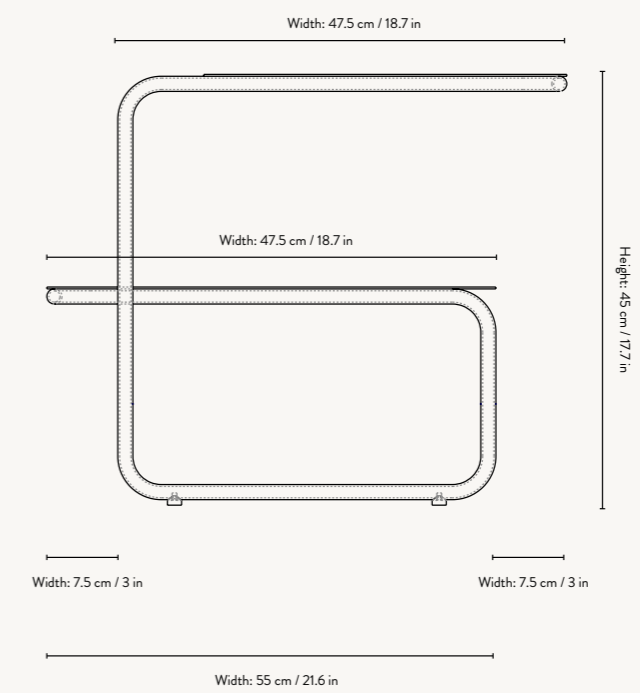
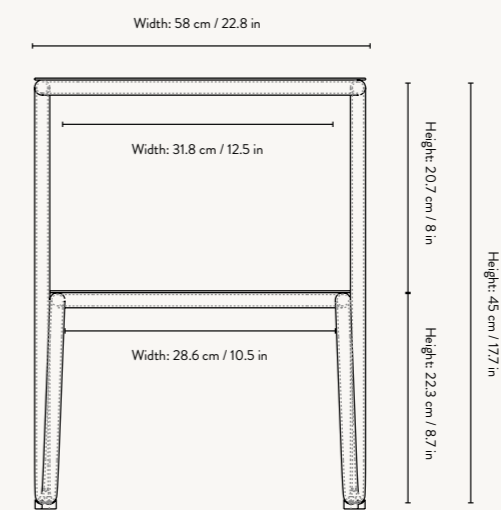
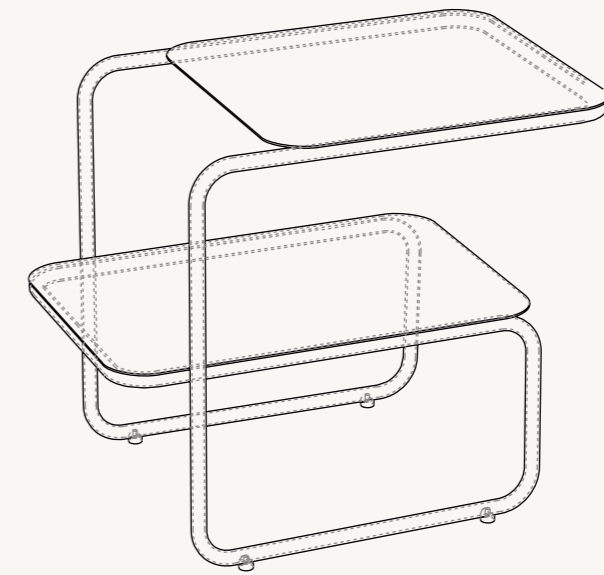
PRODUCT INFO

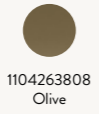
Product types:	Coffee Table Side Table
Origin:	Italy
Weight:	Level Coffe Table: 15 kg Level Side Table: 7 kg
Material:	Material: Powder coated steel
Dimensions:	Level Coffe Table: H: 40 x W: 79 x D: 60 cm / H: 15.7 x W: 31.1 x D: 23.6 in Level Side Table: H: 45 x W: 55 x D: 35 cm / H: 17.7 x W: 21.7 x D: 13.8 in
Design:	ferm LIVING
Info:	Suitable for outdoor use
Care instructions:	Wipe with a damp cloth

LEVEL COFFEE TABLE



LEVEL SIDE TABLE





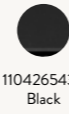
1104263808
Olive



1104263807
Cashmere



1104263806
Black



1104265436
Black



LEVEL SIDE TABLE

Size: H: 45 x W: 55 x D: 35 cm
H: 17.7 x W: 21.7 x D: 13.8 in
Material: Powder coated steel
Care: Wipe with a damp cloth
Info: Suitable for outdoor use.
Registered design
County: Italy
Net. weight: 7 kg
Packsize: 1

LEVEL COFFEE TABLE

Size: H: 40 x W: 79 x D: 60 cm
H: 15.7 x W: 31.1 x D: 23.6 in
Material: Powder coated steel
Care: Wipe with a damp cloth
Info: Suitable for outdoor use.
Registered design
County: Italy
Net. weight: 15 kg
Packsize: 1





Life is full of contrasts

As we navigate expectations and dreams in the search for meaning and comfort, we long for a balanced life with room for chaos and calm, moments of reflection and times of joy. A place where we can be ourselves, realise the true value of things and feel at home.

Based on a passion for authentic design and clear functionality, we challenge ourselves to shape the future and take pride in creating products that help you balance the contrasts of life.

Our soft forms, rich textures and deep colours allow you to create an authentic and composed atmosphere, while avant-garde shapes, striking patterns and curious details add a touch of the unexpected.

From our base in Copenhagen, we work with artisans around the world, fusing our Scandinavian mindset with global skills and traditions. We take our responsibility to people and the planet seriously and expect the same of our partners.

We create collections of furniture, accessories and lighting, so you can create space to feel comfortably you.

Welcome home.

