



AYTM

***ANGUI BAR CHAIR (LARGE)***

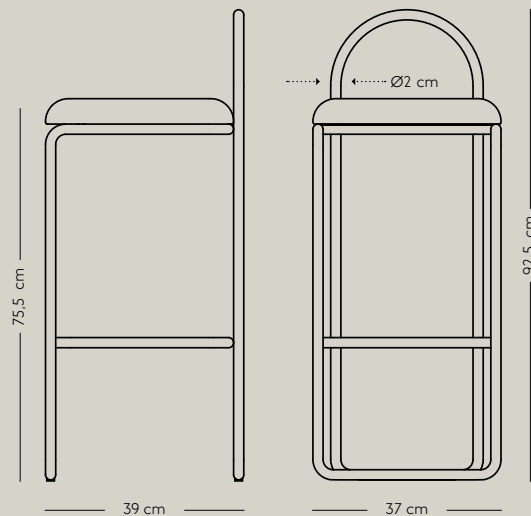
---

*Product sheet*



## ***SPECIFICATIONS***

<i>PRODUCT TYPE</i>	.....	Bar chair
<i>PRODUCT NAME</i>	.....	ANGUI
<i>COLOURS</i>	.....	Anthracite bouclé
	.....	Taupe bouclé
<i>DIMENSIONS</i>	.....	L37 x W39 x H92,5 cm
<i>WEIGHT</i>	.....	4,8 kg
<i>SITTING HEIGHT</i>	.....	75,5 cm
<i>MATERIAL — FRAME</i>	.....	Steel with powder coating
<i>MATERIAL — SEAT</i>	.....	PU foam & Plywood / MDF
	.....	Fabric: 92% RPET & 8% Polyester ≈ 2,5 recycled bottles (Gabriel Grain fabric)
<i>GABRIEL GRAIN DESIGN NO.</i>	.....	Taupe bouclé: 228861253 Anthracite bouclé: 228860328
<i>GABRIEL GRAIN MATERIAL</i>	.....	<b>Click to read more about Gabriel Grain fabric specifications</b>
<i>QUANTITY PER PARCEL</i>	.....	1
<i>PACKAGING DIMENSIONS</i>	.....	L40 x W42 x H95 cm
<i>PACKAGING WEIGHT</i>	.....	6,5 kg
<i>COMPLIANT WITH</i>	.....	EN 16139; EN 1021-1 & 2
	.....	ANSI/BIFMA X5.4; TB117-2013
<i>MAX LOAD</i>	.....	160 kg
<i>US FR LEGISLATION</i>	.....	The Gabriel Grain fabric complies with US FR legislation
<i>PLEASE NOTE</i>	.....	For the contract market kindly use the attached feet for recommended stability



## VARIATIONS



■ ANTHRACITE BOUCLÉ  
Art. No.  
502400070081

■ TAUPE BOUCLÉ  
Art. No.  
502400072081

## ***CARE GUIDE — METALS***

### *HOW TO CLEAN / POLISH*

#### *POWDER COATED IRON / STEEL / ALUMINIUM*

To get rid of dirt and dust, mix a mild detergent with warm water. Dip a lint free cloth into the water & wipe the item down with the cloth. If necessary, wipe the item dry with a soft dry cloth.

*( Avoid scraping or rubbing the powder coating with an abrasive cloth that could damage or remove the coating from the surface )*

## ***CARE GUIDE — TEXTILES***

### *HOW TO CLEAN / POLISH*

#### *BOUCLÉ / GRAIN FABRIC*

In case of stains, immediately dab the area with a white cotton cloth to prevent the stain to penetrate the fibers. Then carefully dab the stain in a white cotton cloth with lukewarm water containing a neutral detergent. If the stain has not disappeared, a professional should clean the fabric. Never clean with chemicals.

*( Note that colours may fade if the fabric is exposed to strong sunlight for a longer period of time )*  
*( Avoid rubbing hardly on the stain or scraping the stain with an abrasive cloth that could damage the fabric )*

# *STORYTELLING*

## *ANGUI BAR CHAIR / BY AYTM DESIGN TEAM*

Taking a moment to relax, and resting your legs for a little while, the ANGUI bar chair is the perfect place to do so. Use it in the hallway, in the bedroom or wherever you need a place to rest. The ANGUI family is a beautiful range of different furniture, including benches, chairs, shelves and mirrors in a wide variety of colours and sizes. The pipe styled frame and tone in tone creates sophisticated pieces that will enhance and contribute to your own personal style.

## *THE ANGUI FAMILY*

Let the alluring curves of the ANGUI family wrap around and dominate your space. The shapes of ANGUI are created to playfully experiment with the organic and graceful movements of a snake.

The soft outlines effortlessly sparks up the atmosphere in a room with its uniqueness  
– just like a snake effortlessly passes through any terrain.