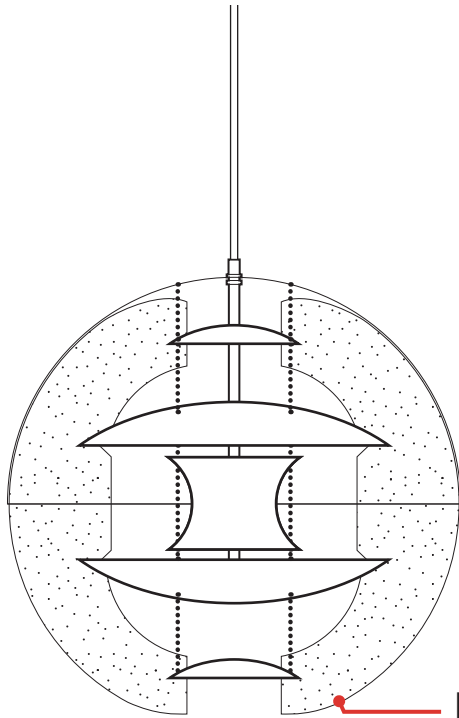


VP GLOBE (GLASS)

Design by VERNER PANTON

Please read thoroughly before assembly

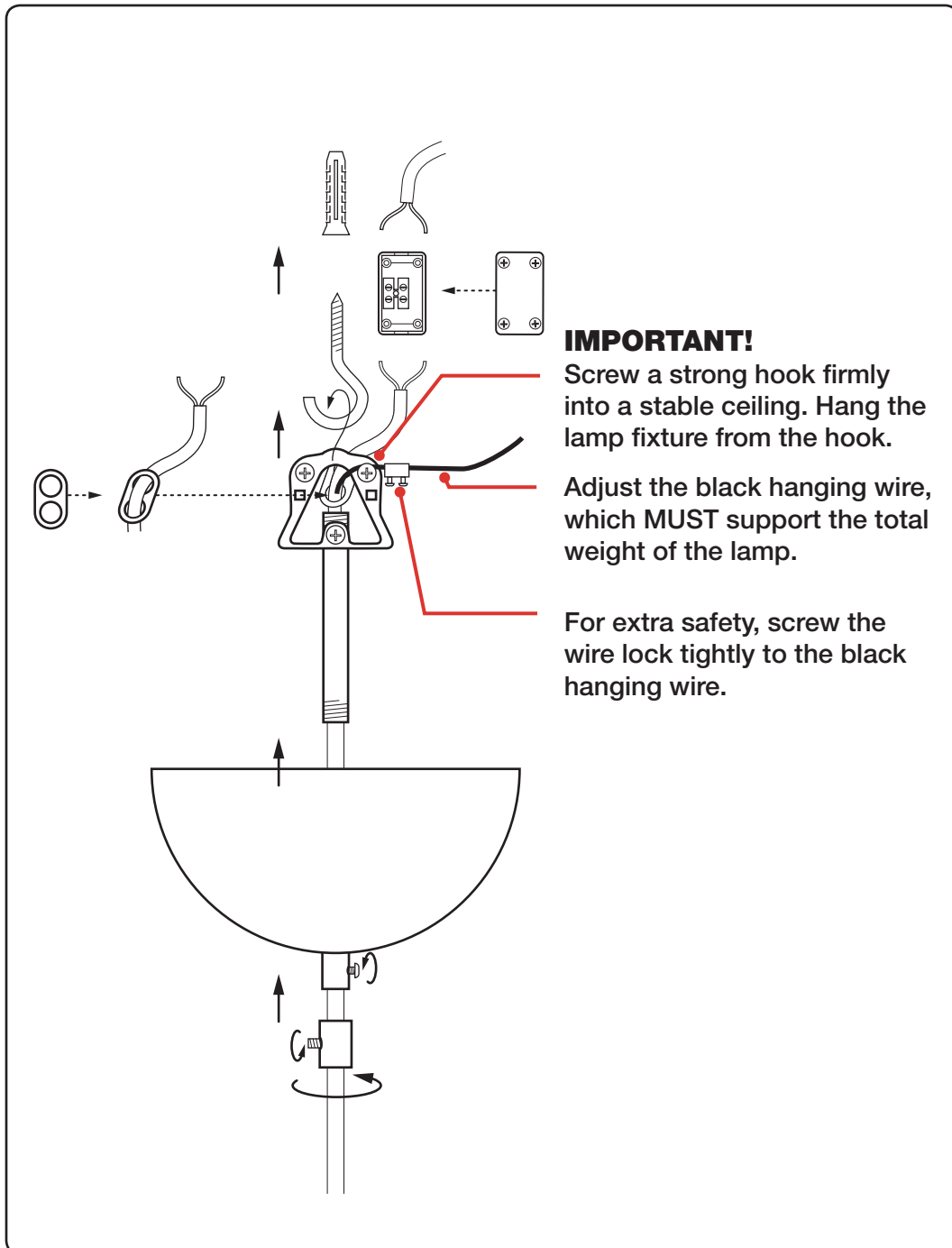
1



**LEAVE PROTECTIVE
PADS ON DURING
ASSEMBLY**

RECOMMENDATION:

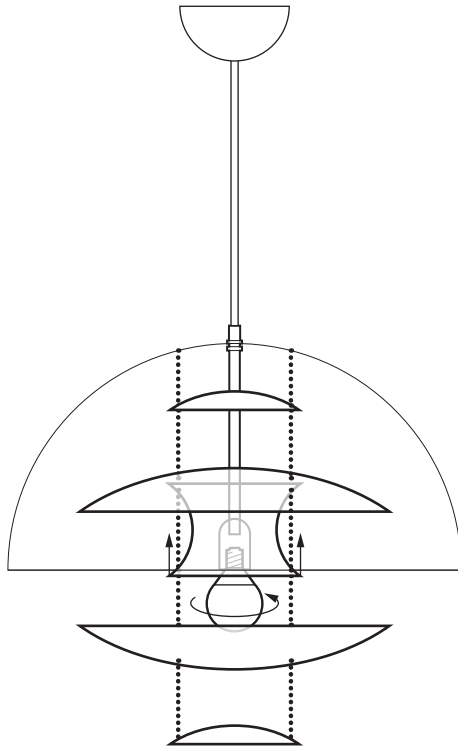
DO NOT REMOVE THE PROTECTIVE PADS FROM THE ACRYLIC SHELL PRIOR TO MOUNTING THE LAMP TO THE CEILING.



HANG THE TOP PART OF THE LAMP FROM THE CEILING

THE LAMP MUST HANG FROM THE BLACK HANGING WIRE,
NOT THE ELECTRIC WIRE!

THERE MUST BE NO WEIGHT ON THE ELECTRIC WIRES!

**IMPORTANT!**

Remember to screw the bulb into the lamp's socket **BEFORE** you fasten the bottom acrylic shell.

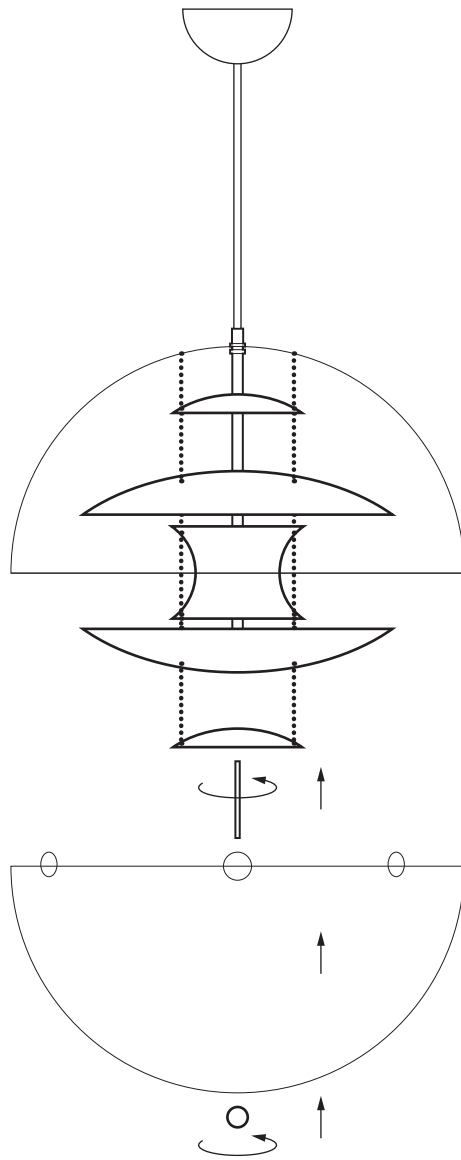
ADD THE BULB BEFORE THE BOTTOM SHELL

TO PREVENT FINGERPRINTS AND SCRATCHES, PLEASE USE THE ENCLOSED GLOVES.

RECOMMENDED BULBS:

VP GLOBE Ø40 CM: E14, MAX. 60W

VP GLOBE Ø50 CM: E27, MAX. 60W



1

Screw the threaded rod into the hole at the bottom of the metal reflector plate

2

Carefully lift the bottom acrylic shell into place, so the rod protrudes through the hole in the shell.

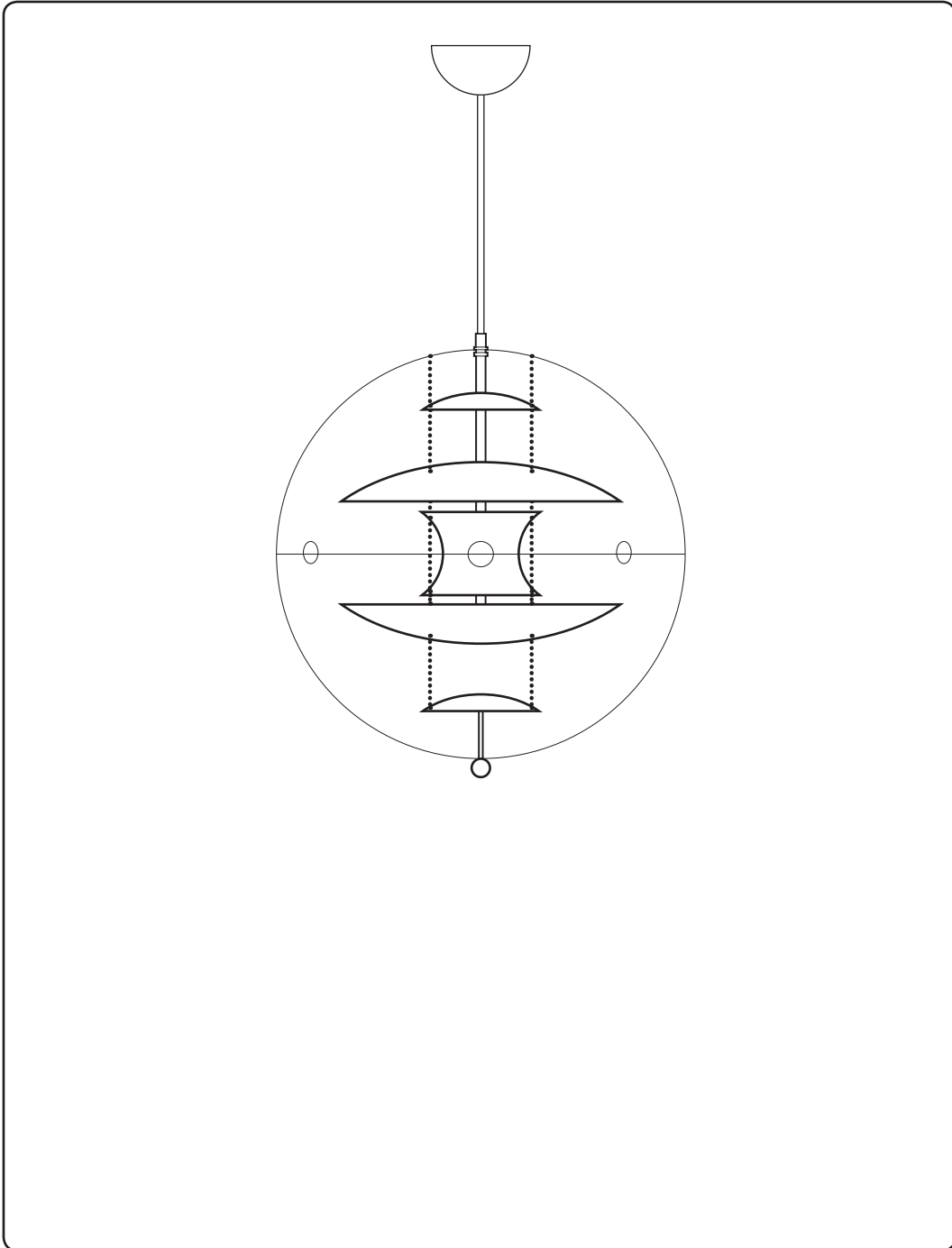
3

Screw the metal ball on to the rod to fasten the bottom shell. **IMPORTANT!** Do not over tighten the metal ball, or you may damage the acrylic shell.

FASTEN THE BOTTOM SHELL

DUE TO THE NATURE OF THE ACRYLIC MATERIAL, THE SHAPE OF THE TOP AND BOTTOM SHELLS CAN DEVIATE SLIGHTLY FROM A PERFECT CIRCLE.

THIS IS NORMAL, AND THE SHELLS HAVE BEEN PAIRED TO MATCH. WHEN ASSEMBLING, SIMPLY ROTATE THE BOTTOM ACRYLIC SHELL TO FIND THE BEST POSITION.

**HOW TO CLEAN:**

Clean with a soft cloth, warm water and a mild detergent.
Do NOT use any abrasive materials.

IMPORTANT

IF THE EXTERNAL FLEXIBLE CABLE OR CORD OF THIS LUMINAIRE IS DAMAGED, IT SHALL BE EXCLUSIVELY REPLACED BY THE MANUFACTURER OR HIS SERVICE AGENT OR A SIMILAR QUALIFIED PERSON IN ORDER TO AVOID A HAZARD.

CLEANING KIT FOR VP GLOBE:

YOU CAN ALSO PURCHASE A CLEANING KIT DEVELOPED ESPECIALLY FOR THE VP GLOBE AND PANTO PENDANTS. PLEASE CONTACT THE SHOP WHERE YOU PURCHASED YOUR PENDANT FOR FURTHER DETAILS.

IMPORTANT INFO ON THE GLASS REFLECTORS

Each glass reflector is unique, as the glass is hand polished and hand painted.

The surface of the glass can have small variations, and smaller air bubbles may occur.

DESIGNED
IN THE PAST
MADE FOR
TOMORROW

VERPAN ApS
Egeskovvej 29
8700 Horsens
Denmark

www.verpan.com

info@verpan.com