



AYTM

## ***CURVA SHELF (LARGE)***

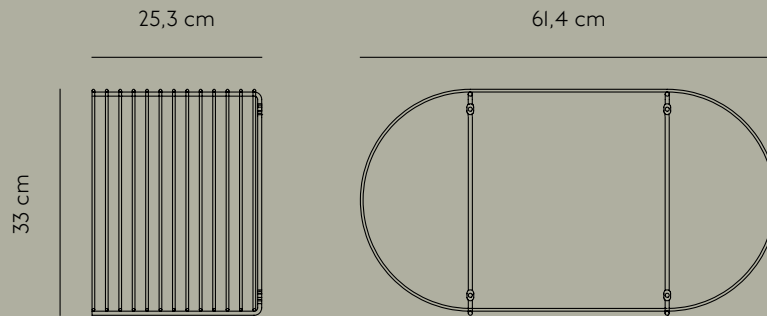
---

*Product sheet*

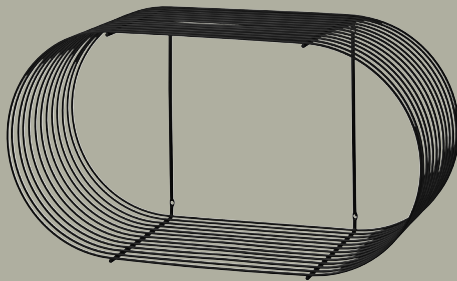
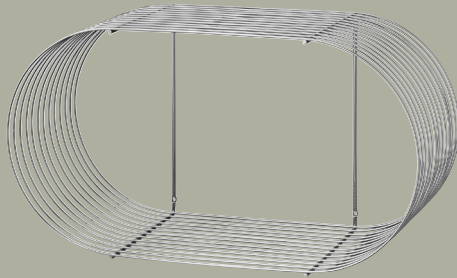
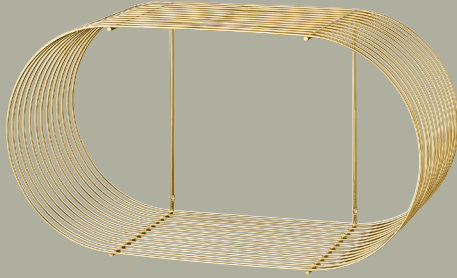


## ***SPECIFICATIONS***

<i>PRODUCT TYPE</i>	.....	Shelf
<i>PRODUCT NAME</i>	.....	CURVA
<i>COLOURS</i>	.....	Gold Silver Black
<i>DIMENSION</i>	.....	L:61,4 W:25,3 H:33 cm
<i>WEIGHT</i>	.....	2,45 kg
<i>MATERIAL</i>	.....	Steel w. brass plating Steel w. chrome plating Steel w. matte powder coating
<i>QUANTITY PER PARCEL</i>	.....	1
<i>PACKAGING DIMENSIONS</i>	.....	L:62 W:26 H:34 cm
<i>PACKAGING WEIGHT</i>	.....	3,7 kg
<i>COMPLIANT WITH</i>	.....	EN 16121 & ANSI/BIFMA X5.9
<i>MAX LOAD</i>	.....	15 kg



## VARIATIONS



GOLD



Art. No.  
503290005084

SILVER



Art. No.  
503290004084

BLACK



Art. No.  
503290050084

## ***CARE GUIDE — METALS***

### ***HOW TO CLEAN / POLISH***

#### ***PLATED IRON / STEEL / ALUMINIUM***

To get rid of dirt and dust, mix a mild detergent with warm water.  
Dip a soft cloth into the water & wipe the item down with the cloth.  
If necessary, wipe the item dry with a soft dry cloth.

*(Avoid scraping with an abrasive cloth, that could damage the surface)*

#### ***POWDER COATED IRON / STEEL / ALUMINIUM***

To get rid of dirt and dust, mix a mild detergent with warm water.  
Dip a lint free cloth into the water & wipe the item down with the cloth.  
If necessary, wipe the item dry with a soft dry cloth.

*(Avoid scraping or rubbing the powder coating with an abrasive cloth that could damage or remove the coating from the surface)*