



vipp

VIPP521-526 | LAMPS



CONTENT

4-5	VIPP LAMPS : TIMELESS ILLUMINATION
6-8	IMPORTANT SAFETY INSTRUCTIONS
10-15	VIPP521 DESK LAMP
16-23	VIPP522 WALL LAMP
24-31	VIPP524 WALL SPOT
32-41	VIPP525 FLOOR READING LAMP
42-49	VIPP526 PENDANT
50	BATHROOM LIGHTING ZONE CLASSIFICATION



TIMELESS ILLUMINATION

A Vipp product is crafted from a legacy in metalwork dating back to 1939. Designed and manufactured by Vipp, the lamps have a unique cohesion combining quality, functionality and design.

Like all Vipp products, a Vipp lamp is made to last for at least as long as the first Vipp pedal bin from 1939; timeless in its aesthetics, impeccable in its function, and valued for the joy inherent in its daily use.

LONG-LASTING LIGHT SOURCE

Fitted with a changeable LED bulb, Vipp lamps are adapted to follow the fast development in LED light technology.

OPTIMAL LIGHTING

A perforated lamp shade paired with matte glass ensure a soft diffusion of light.

DURABLE MATERIALS

Made from die-cast, powder-coated aluminium with details in stainless steel, Vipp lamps are durable and easy to clean.

TIMELESS DESIGN

Manifesting a stand for long-lasting products, every Vipp lamp is both the first and last of its kind. New lamps may be added, but you will not see a new version of a Vipp lamp next season. Because once you have captured good light and wrapped it in a timeless aesthetic, what else is there to achieve in a lamp?

IMPORTANT SAFETY INSTRUCTIONS

The safety of the luminaire can only be guaranteed if these instructions are observed during both installation and use. Please retain these instructions safely.

DISCONNECT POWER BEFORE SERVICING

When installing and whenever servicing the luminaire, ensure that the power supply has been switched off.

CAUTION – RISK OF FIRE AND SHOCK

This appliance may in no way be modified or tampered with. Any modification may compromise safety causing the appliance to become dangerous when used. In the event that the appliance is modified or tampered with, any warranty by Vipp will be void and Vipp shall not be liable for any damage to the appliance, other products, persons, or any other damage.

This exclusion does not apply to cord modifications to surface-mounted luminaires, so long as such modifications are properly performed in accordance with applicable local code or industry standards. Any improper cord modification will void the two-year warranty and also may cause RISK OF FIRE AND SHOCK.

The external flexible cable or cord of this luminaire cannot be replaced; if the cord is damaged, the luminaire shall be destroyed. In case of a defective product, please contact your place of purchase.

NORTH AMERICA

These luminaires have a polarized plug (one blade is wider than the other) as a feature to reduce the risk of electric shock. This plug will fit in a polarized outlet only one way. If the plug does not fit fully in the outlet, reverse the plug. If it still does not fit, contact a qualified electrician. Never use with an extension cord unless the plug can be fully inserted. Do not alter the plug.

DISPOSAL



The product must not be disposed with other household wastes, but should be separated and recycled responsibly.



CERTIFICATIONS CARE AND WARRANTY

CARE INSTRUCTIONS

Clean with a soft, damp cloth. Always switch off the electrical supply before cleaning.
For further instructions, visit vipp.com.

CERTIFICATIONS



The CE marking is the manufacturer's declaration that the product meets the requirements of the applicable European directives and ensures that the product may be legally placed on the European market. The luminaire products within present catalogue are designed with respect to the Low Voltage Directive (LVD) 2014/35/EU.



The luminaire products (EU and AUS/NZ version) of the present catalogue are constructed and safety tested (final approval/certificate pending) according to the International Standard IEC 60598-1 and IEC 60598-2-4 issued by IEC (International Electrotechnical Commission).



North America: The luminaire products intended for the North American market are constructed and safety tested according to the Underwriters Laboratories Standard (UL). Luminaires are certified by use of UL153 and UL1598 with certificate file number E477337 and E475962, respectively.

WARRANTY

Vipp offers product warranty according to national law.

VIPP521 DESK LAMP

PRODUCT TYPE	Desk lamp
ENVIRONMENT	Indoor use only
TECHNICAL DESCRIPTION	Lamp base in metal, connected via a finger screw to extruded aluminium profiles. Lamp shade in sheet metal including a pressed glass diffuser. Internally routed cord
MATERIALS	Powder-coated aluminium, stainless steel, silicone, glass
COLOURS	Black
WEIGHT	4,4 kg / 9.7 lbs.
SUPPLY	Braided power cord with a plug
CORD LENGTH	2,3 m / 90.5 in
VOLTAGE (V)	Europe: 220-240V~ 50/60Hz North America/Canada: 120V~ 60Hz
LIGHT SOURCE	Delivered with a replaceable LED bulb* Europe: E14 max 15 Watt North America/Canada: E12 max 12 Watt
PERFORMANCE TESTED	Input: 5,5W, 2800K, 470Lm Output: 2800K, 200Lm, 355Lx at 0,5 m / 19.5 in
ENERGY EFFICIENCY CLASS	Compatible with bulbs of the energy classes A++ -E
SWITCH	On/off toggle
IP CLASS	20
DIMMING	Possible with retrofit**

For further specifications, visit vippp.com.

*For details of the bulb delivered, please visit vippp.com.

**Please note that the lamp is not dimmable from the factory. Dimming is possible if the lamp is retrofitted with a dimmable LED bulb and an equivalent wall switch.






VIPP521
DESK LAMP


ENERGY LABEL

vipp Vipp521 desk lamp

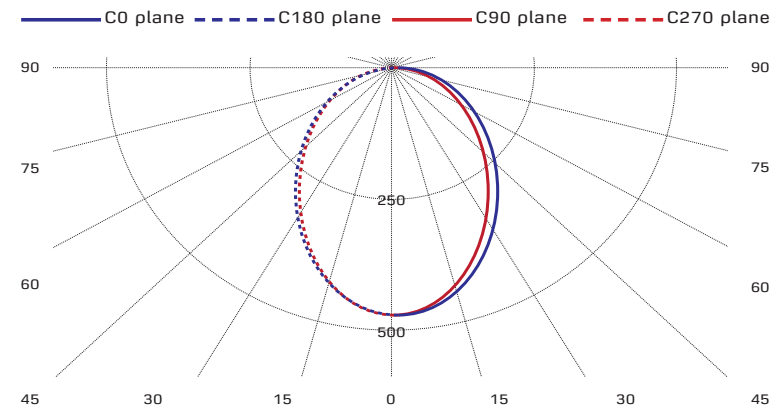
 This luminaire is compatible with bulbs of the energy classes:

A++
A+
A
B
C
D
E

This luminaire is sold with a bulb of the energy class: **A+**

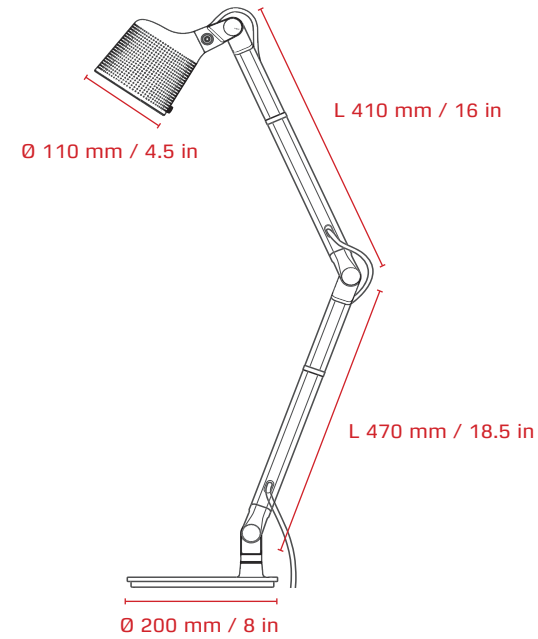
874/2012 

LUMINOUS INTENSITY - DISTRIBUTION POLAR GRAPH

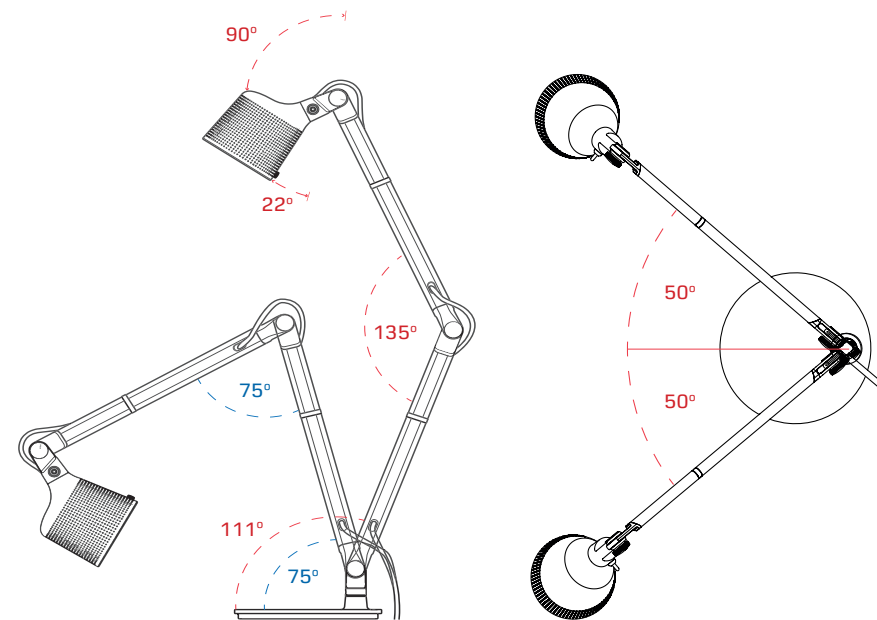


VIPP521
DESK LAMP

LAMP DIMENSIONS



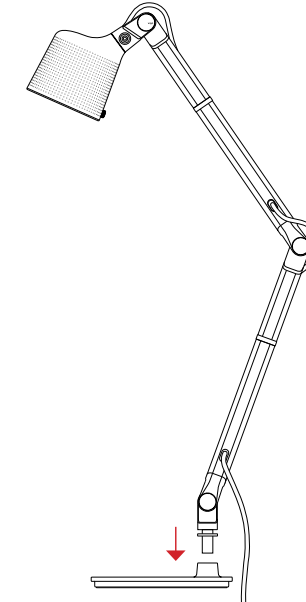
MOVEMENTS AND POSITIONS OF THE LAMP



VIPP521
DESK LAMP

ASSEMBLY INSTRUCTIONS

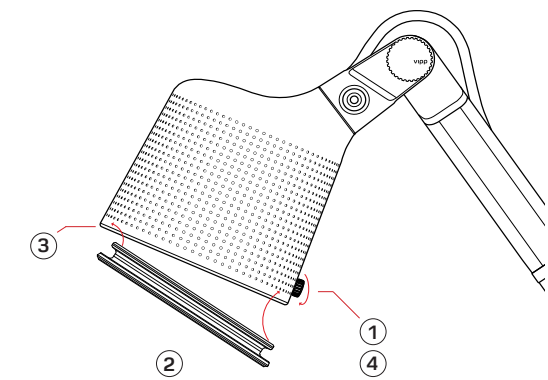
Place lamp on base as illustrated.



LIGHT BULB CHANGE

Attention: Switch off the power supply before any operation such as replacement of the bulb, cleaning, connection to mains etc.

1. Loosen the finger screw on the back of the lamp shade while holding underneath the glass diffuser.
2. Remove the glass diffuser and change the bulb.
3. Re-mount the glass diffuser by clicking it in on the front side of the lamp.
4. Tighten the finger screw to secure the glass diffuser.



VIPP522 WALL LAMP

PRODUCT TYPE	Wall lamp
ENVIRONMENT	Indoor use only
TECHNICAL DESCRIPTION	Wall adapter in metal, connected via a finger screw to extruded aluminium profiles. Lamp shade in sheet metal including a pressed glass diffuser. Internally routed cord.
MATERIALS	Powder-coated aluminium, stainless steel, silicone, glass
COLOURS	Black
WEIGHT	1,5 kg / 3.3 lbs
SUPPLY	Braided power cord with a plug
CORD LENGTH	2 m / 79 in
VOLTAGE (V)	Europe: 220-240V~ 50/60Hz North America/Canada: 120V~ 60Hz
LIGHT SOURCE	Delivered with a replaceable LED bulb* Europe: E14 max 15 Watt North America: E12 max 22 Watt
PERFORMANCE TESTED	Input: 5,5W, 2800K, 470Lm Output: 2800K, 200Lm, 355Lx at 0,5 m / 19.5 in
ENERGY EFFICIENCY CLASS	Compatible with bulbs of the energy classes A++ -E
SWITCH	On/off toggle
IP CLASS	20 (Zone 3, see page 50)
DIMMING	Possible with retrofit**

For further specifications, visit vippp.com.

*For details of the bulb delivered, please visit vippp.com.

**Please note that the lamp is not dimmable from the factory. Dimming is possible if the lamp is retrofitted with a dimmable LED bulb and an equivalent wall switch.





VIPP522 WALL LAMP

ENERGY LABEL

vipp Vipp522 wall lamp

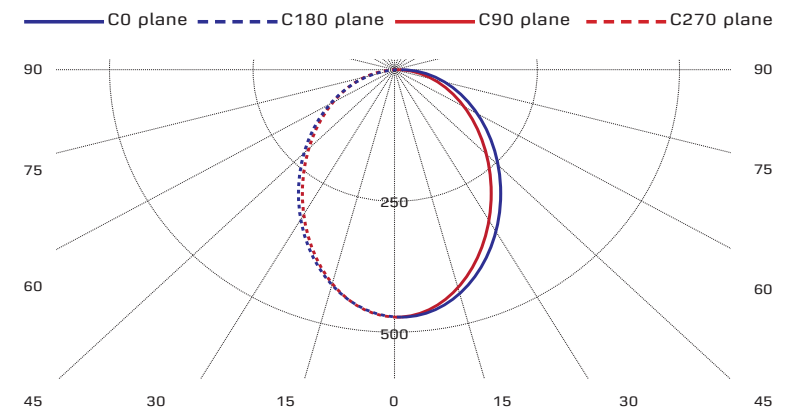
This luminaire is compatible with bulbs of the energy classes:

A++
A+
A
B
C
D
E

This luminaire is sold with a bulb of the energy class: A+

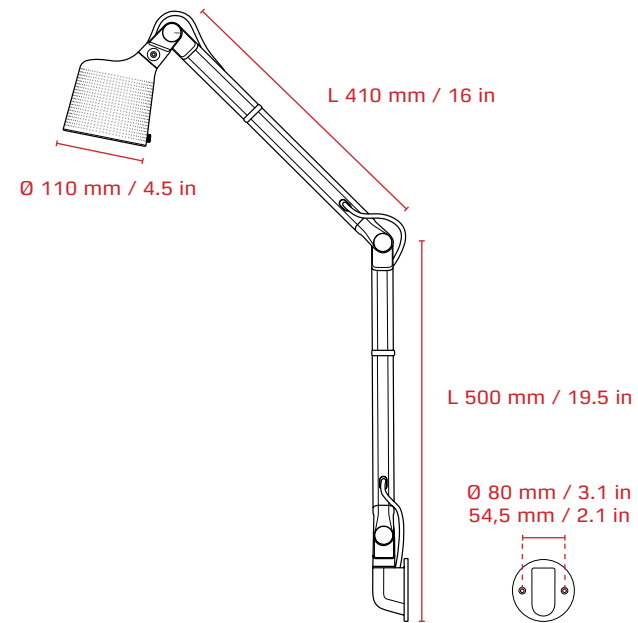
874/2012

LUMINOUS INTENSITY - DISTRIBUTION POLAR GRAPH

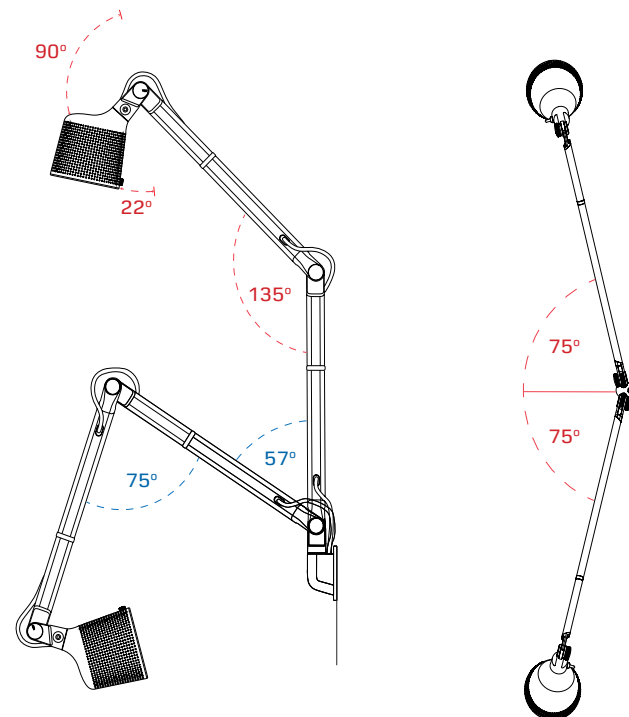


VIPP522
WALL LAMP

LAMP DIMENSIONS



MOVEMENTS AND POSITIONS OF THE LAMP



VIPP522
WALL LAMP

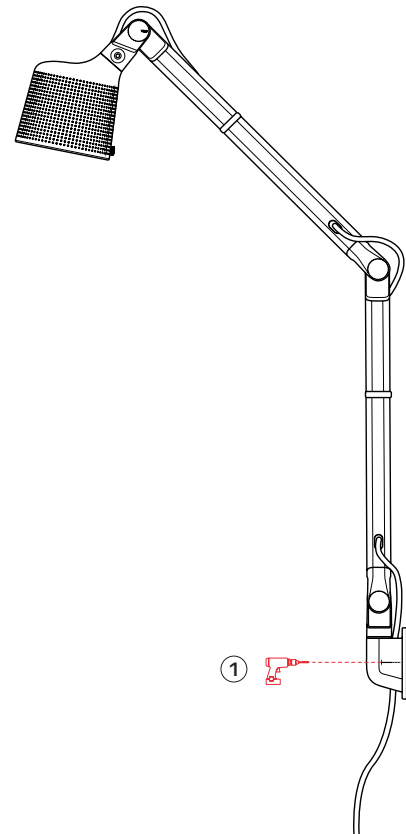
MOUNTING

Attention: Switch off the power supply before any operation such as replacement of the bulb, cleaning, connection to mains etc.

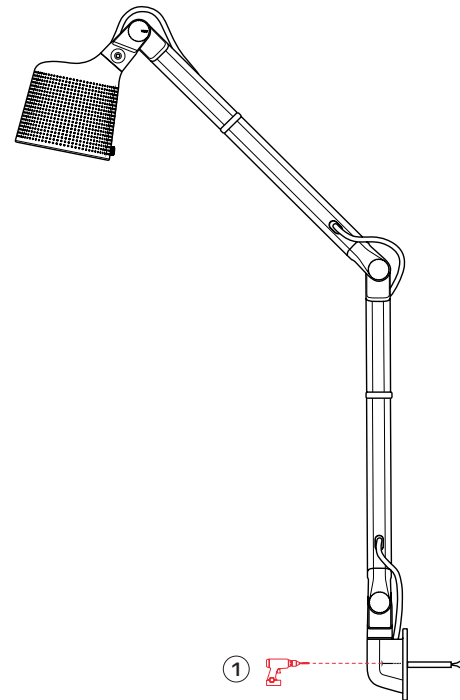
- A) Surface mounted with externally routed cord (visible cord) or
- B) Surface mounted directly on junction box (hidden cord)

1. Mark for holes on the wall, drill holes, and insert rawl plugs. Mount the lamp by securing the screws to the wall.

A VISIBLE CORD



B HIDDEN CORD

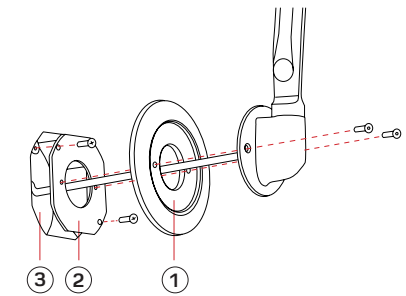


VIPP522
WALL LAMP

MOUNTING – NORTH AMERICA

The lamp is delivered with an adapter flange in those cases where the lamp is to be mounted directly over a standard-sized electrical junction box. Note that the installation shall be performed by a professional according to local code.

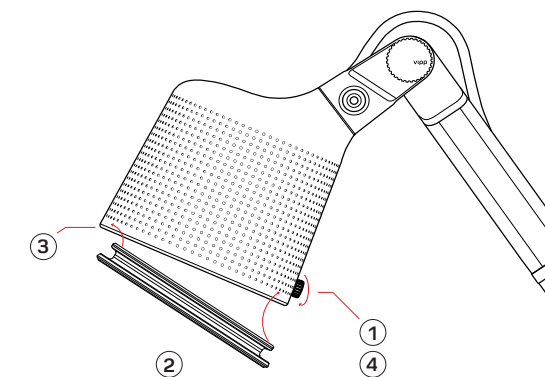
1. Route the cord through the adapter flange (1) and adapter plate (2).
2. Cut the cord to the correct length and connect to mains. Remember to turn off the power.
3. Secure the adapter plate to the junction box (3).
4. Secure the lamp and adapter flange to the adapter plate.



LIGHT BULB CHANGE

Attention: Switch off the power supply before any operation such as replacement of the bulb, cleaning, connection to mains etc.

1. Loosen the screw on the back of the lamp shade while holding underneath the glass diffuser.
2. Remove the glass diffuser and change the bulb.
3. Re-mount the glass diffuser by clicking it in on the front side of the lamp.
4. Tighten the finger screw to secure the glass diffuser.



VIPP524 WALL SPOT

PRODUCT TYPE	Wall spot
ENVIRONMENT	Indoor use only
TECHNICAL DESCRIPTION	Wall adapter in metal, connected via a finger screw to the lamp shade which is produced in sheet metal including a pressed glass diffuser.
MATERIALS	Powder-coated aluminium, stainless steel, silicone, glass
COLOURS	Black / white
WEIGHT	0,75 kg / 1.65 lbs
SUPPLY	Braided power cord with a plug
CORD LENGTH	2 m / 79 in
VOLTAGE (V)	Europe: 220-240V~ 50/60Hz North America/Canada: 120V~ 60Hz
LIGHT SOURCE	Delivered with a replaceable LED bulb* Europe: E14 max 15 Watt North America: E12 max 12 Watt
PERFORMANCE TESTED	Input: 5,5W, 2800K, 470Lm Output: 2800K, 200Lm, 355Lx at 0,5 m / 19.5 in
ENERGY EFFICIENCY CLASS	Compatible with bulbs of the energy classes A++ -E
SWITCH	On/off toggle
IP CLASS	20 (Zone 3, see page 50)
DIMMING	Possible with retrofit**

For further specifications, visit vippp.com.

*For details of the bulb delivered, please visit vippp.com.

**Please note that the lamp is not dimmable from the factory. Dimming is possible if the lamp is retrofitted with a dimmable LED bulb and an equivalent wall switch.






VIPP524 WALL SPOT


ENERGY LABEL

vipp Vipp524 wall spot

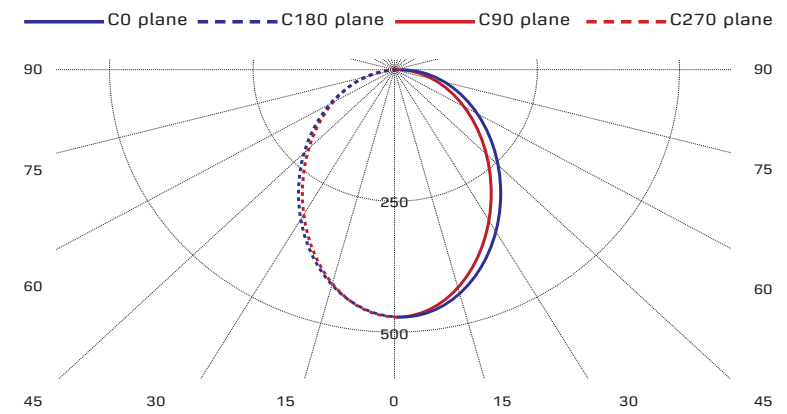
 This luminaire is compatible with bulbs of the energy classes:

A++
A+
A
B
C
D
E

This luminaire is sold with a bulb of the energy class: **A+**

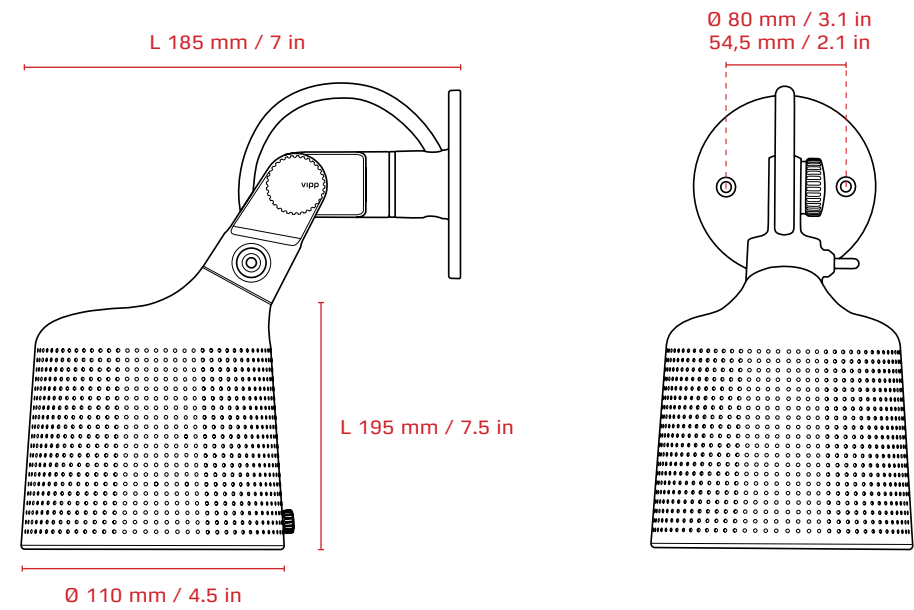
874/2012 

LUMINOUS INTENSITY - DISTRIBUTION POLAR GRAPH

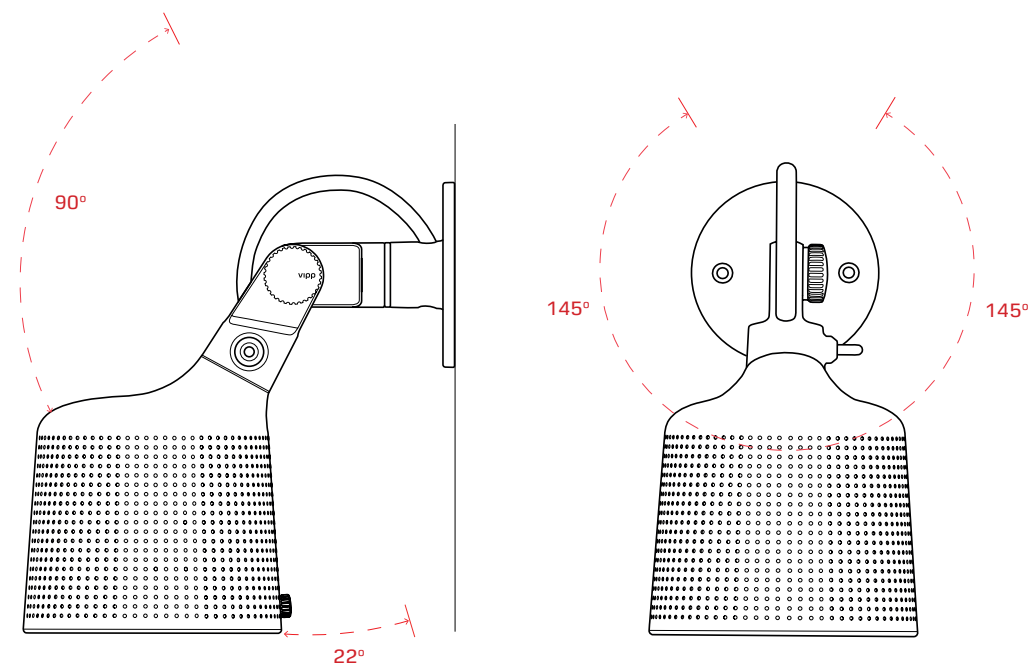


VIPP524
WALL SPOT

LAMP DIMENSIONS



MOVEMENTS AND POSITIONS OF THE LAMP



VIPP524
WALL SPOT

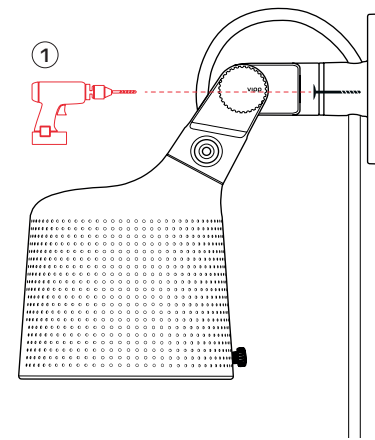
MOUNTING

Attention: Switch off the power supply before any operation such as replacement of the bulb, cleaning, connection to mains etc.

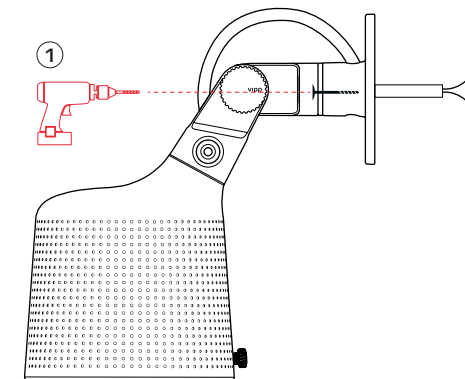
- A) Surface mounted with externally routed cord (visible cord) or
- B) Surface mounted directly on junction box (hidden cord)

1. Mark for holes on the wall, drill holes, and insert rawl plugs. Mount the lamp by securing the screws to the wall.

A VISIBLE CORD



B HIDDEN CORD

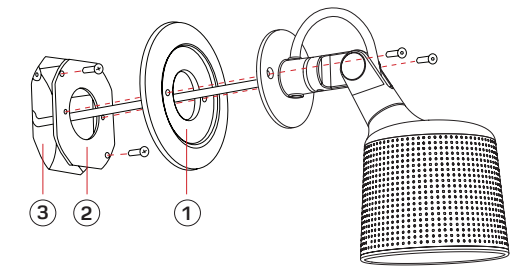


VIPP524
WALL SPOT

MOUNTING – NORTH AMERICA

The lamp is delivered with an adapter flange in those cases where the lamp is to be mounted directly over a standard-sized electrical junction box. Note that the installation shall be performed by a professional according to local code.

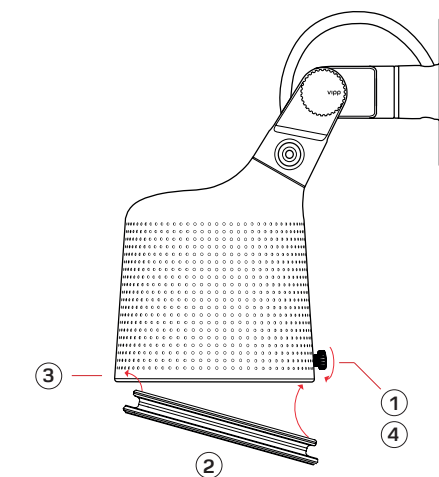
1. Route the cord through the adapter flange (1) and adapter plate (2).
2. Cut the cord to the correct length and connect to mains (remember to turn off the power).
3. Secure the adapter plate to the junction box (3).
4. Secure the lamp and adapter flange to the adapter plate.



LIGHT BULB CHANGE

Attention: Switch off the power supply before any operation such as replacement of the bulb, cleaning, connection to mains etc.

1. Loosen the screw on the back of the lamp shade while holding underneath the glass diffuser.
2. Remove the glass diffuser and change the bulb.
3. Re-mount the glass diffuser by clicking it in on the front side of the lamp.
4. Tighten the finger screw to secure the glass diffuser.



VIPP525 FLOOR READING LAMP

PRODUCT TYPE	Floor lamp
ENVIRONMENT	Indoor use only
TECHNICAL DESCRIPTION	Lamp base in metal, connected via a finger screw to extruded aluminium profiles. Lamp shade in sheet metal including a pressed glass diffuser. Internally routed cord
MATERIALS	Powder-coated aluminium, stainless steel, silicone, glass
COLOURS	Black
WEIGHT	5,5 kg / 12.1 lbs
SUPPLY	Braided power cord with a plug
CORD LENGTH	2,6 m / 102 in
VOLTAGE (V)	Europe: 220-240V~ 50/60Hz North America/Canada: 120V~ 60Hz
LIGHT SOURCE	Delivered with a replaceable LED bulb* Europe: E14 max 15 Watt North America: E12 max 12 Watt
PERFORMANCE TESTED	Input: 5,5W, 2800K, 470Lm Output: 2800K, 200Lm, 355Lx at 0,5 m / 19.5 in
ENERGY EFFICIENCY CLASS	Compatible with bulbs of the energy classes A++ -E
SWITCH	On/off toggle
IP CLASS	20
DIMMING	Possible with retrofit**

For further specifications, visit vipp.com.

*For details of the bulb delivered, please visit vipp.com.

**Please note that the lamp is not dimmable from the factory. Dimming is possible if the lamp is retrofitted with a dimmable LED bulb and an equivalent wall switch.






VIPP525 FLOOR LAMP


ENERGY LABEL

vipp Vip525
floor reading lamp

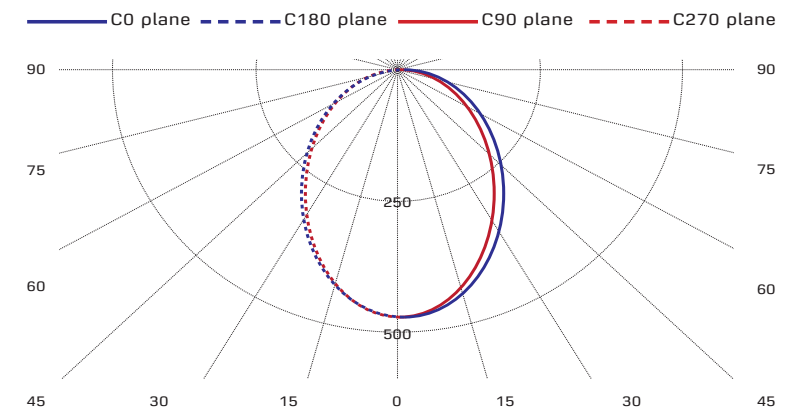
 This luminaire is compatible with bulbs of the energy classes:

A⁺⁺
A⁺
A
B
C
D
E

This luminaire is sold with a bulb of the energy class: A⁺

874/2012 

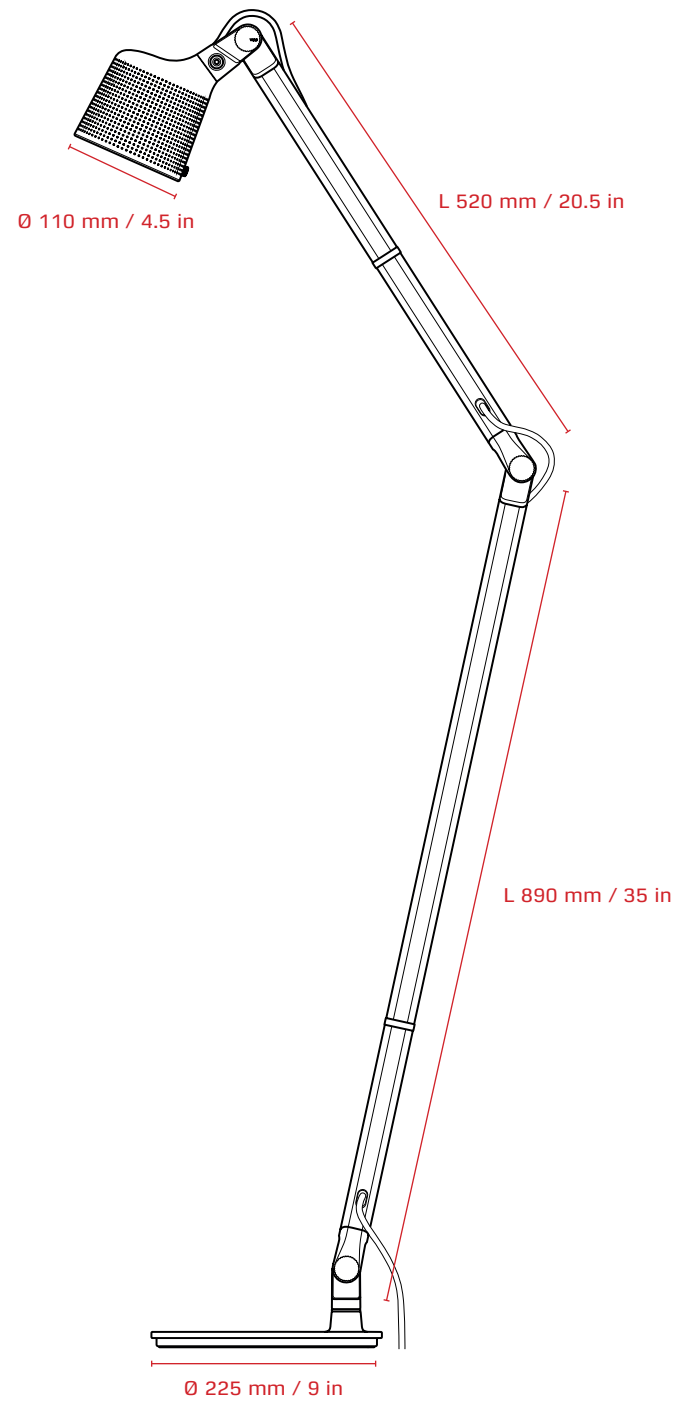
LUMINOUS INTENSITY - DISTRIBUTION POLAR GRAPH





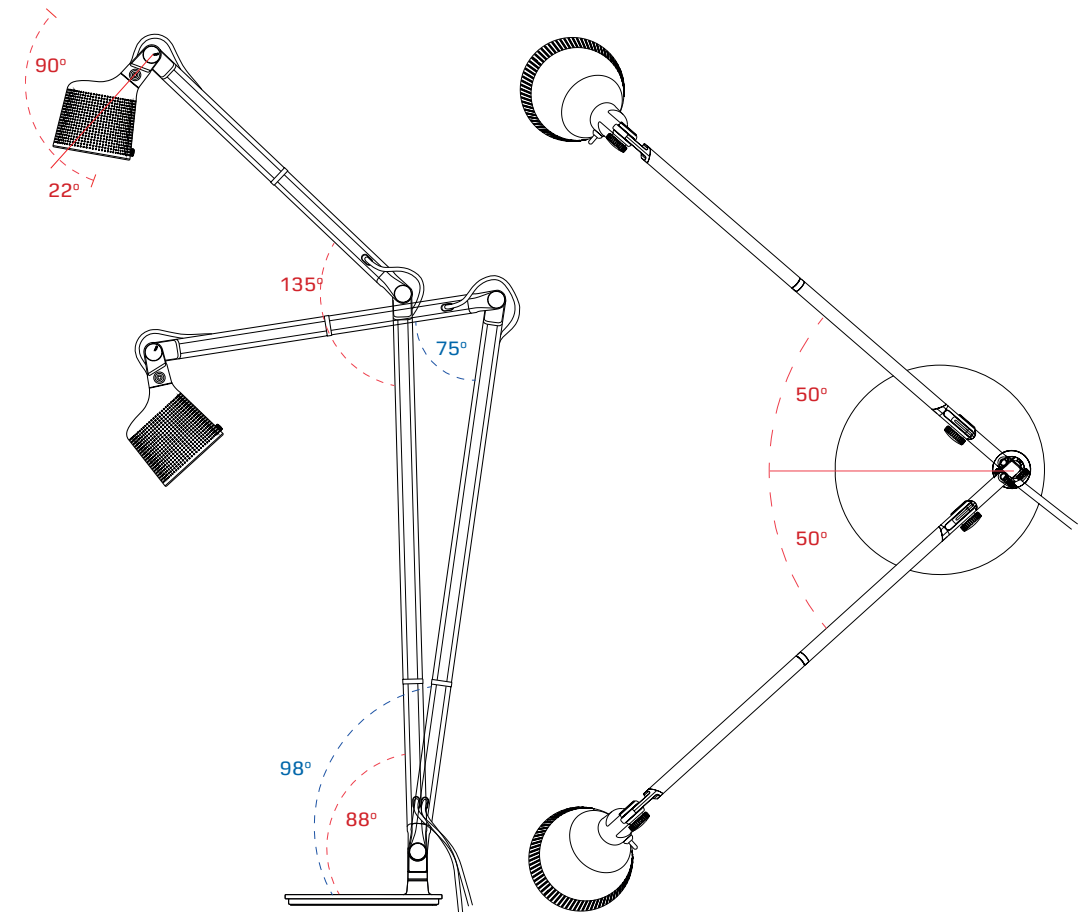
VIPP525
FLOOR READING LAMP

LAMP DIMENSIONS



VIPP525
FLOOR READING LAMP

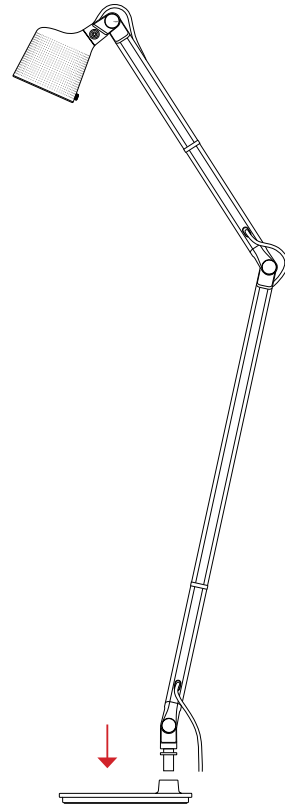
MOVEMENTS AND POSITIONS OF THE LAMP



VIPP525
FLOOR READING LAMP

ASSEMBLY INSTRUCTIONS

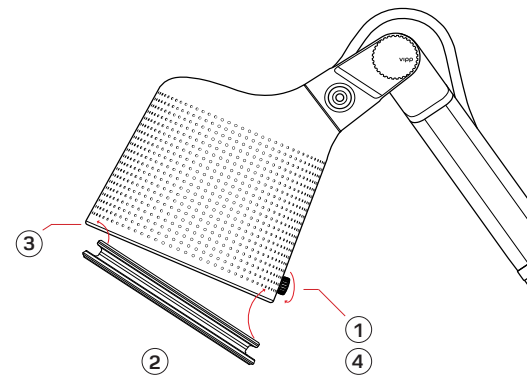
Place lamp on base
as illustrated.



LIGHT BULB CHANGE

Attention: Switch off the power supply before any operation such as replacement of the bulb, cleaning, connection to mains etc.

1. Loosen the screw on the back of the lamp shade while holding underneath the glass diffuser.
2. Remove the glass diffuser and change the bulb.
3. Re-mount the glass diffuser by clicking it in on the front side of the lamp.
4. Tighten the finger screw to secure the glass diffuser.



VIPP526 PENDANT

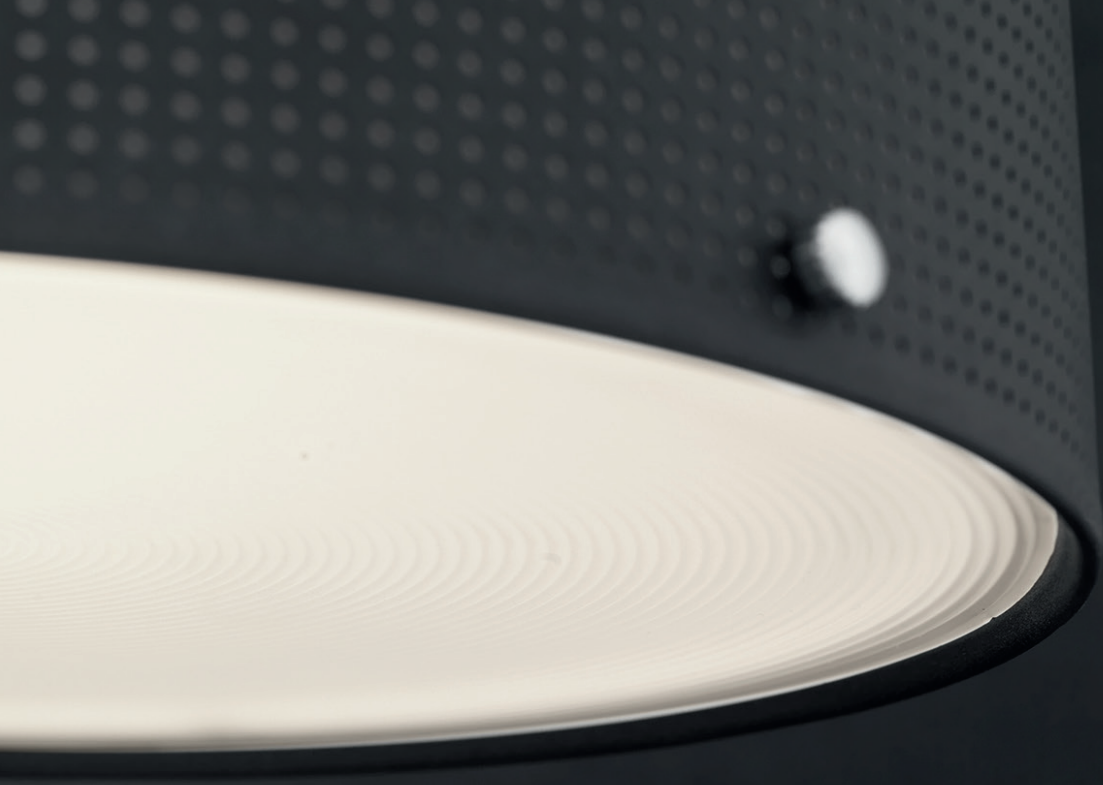
PRODUCT TYPE	Ceiling lamp
ENVIRONMENT	Indoor use only
TECHNICAL DESCRIPTION	Rosette molded in aluminium with two steel wires attached to the lamp shade made of sheet metal. Pressed glass diffuser.
MATERIALS	Powder-coated aluminium, stainless steel, silicone, glass
COLOURS	Black
WEIGHT	3,5 kg / 7.7 lbs
SUPPLY	Braided power cord
CORD LENGTH	6 m / 236 in
VOLTAGE (V)	Europe: 220-240V~ 50/60Hz North America/Canada: 120V~ 60Hz
LIGHT SOURCE	Delivered with a replaceable LED bulb* Europe: E27 max 75 Watt North America/Canada: E26 max 75 Watt
PERFORMANCE TESTED	Input: 5,5W, 2800K, 470Lm Output: 2800K, 220Lm, 925Lx at 0,5 m / 19.5 in
ENERGY EFFICIENCY CLASS	Compatible with bulbs of the energy classes A++ -E
IP CLASS	20
DIMMING	Possible with retrofit**

For further specifications, visit vipp.com.

*For details of the bulb delivered, please visit vipp.com.

**Please note that the lamp is not dimmable from the factory. Dimming is possible if the lamp is retrofitted with a dimmable LED bulb and an equivalent wall switch.





VIPP526 PENDANT

ENERGY LABEL

vipp Vipp526 pendant

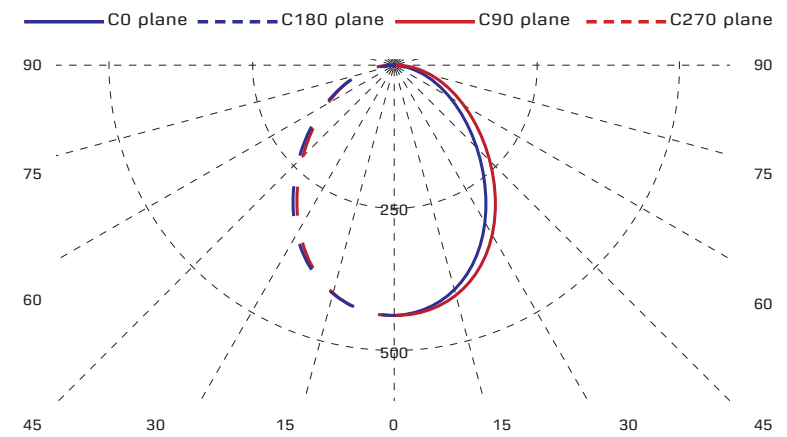
This luminaire is compatible with bulbs of the energy classes:

A++
A+
A
B
C
D
E

This luminaire is sold with a bulb of the energy class: A+

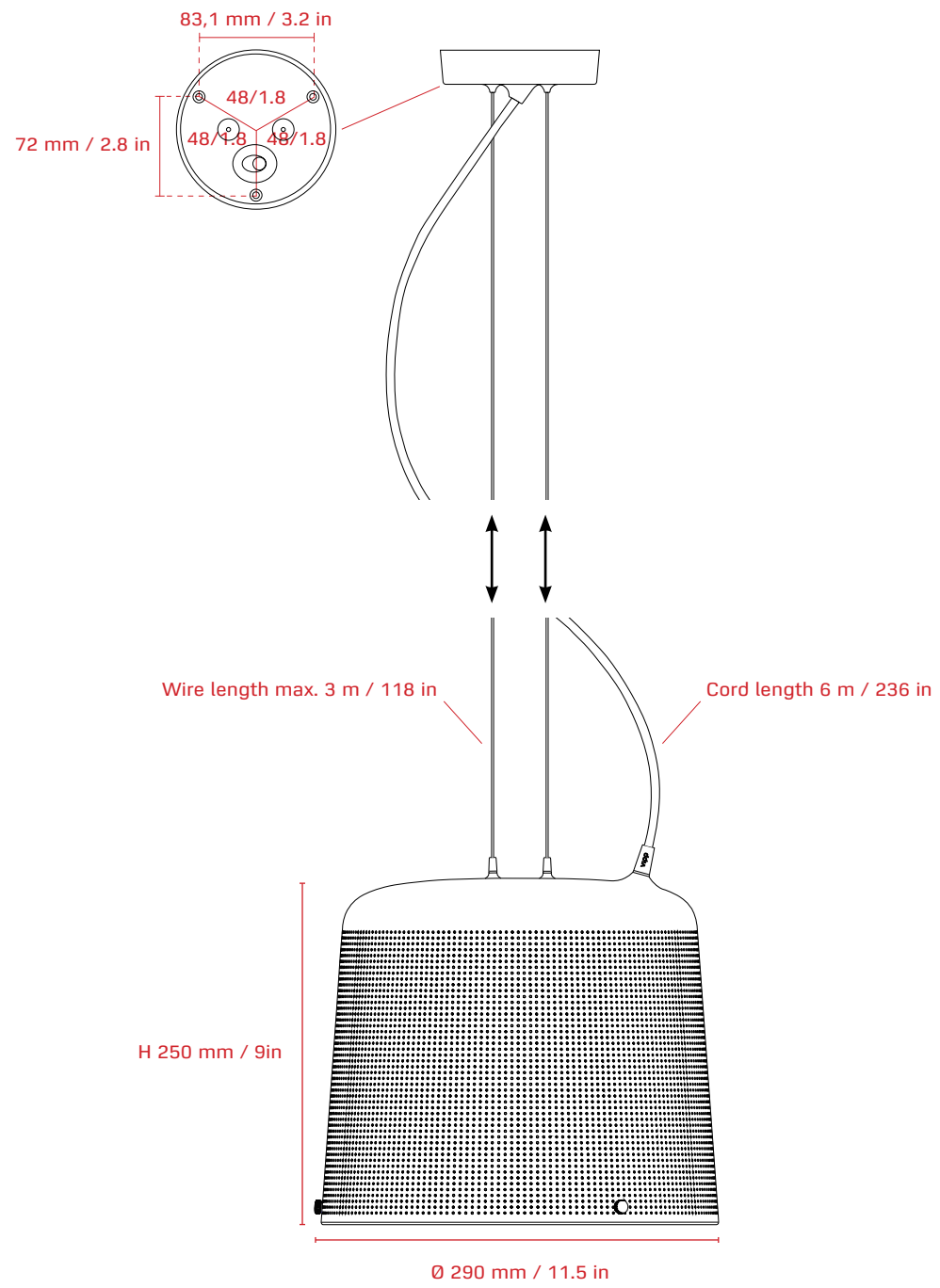
874/2012

LUMINOUS INTENSITY - DISTRIBUTION POLAR GRAPH



VIPP526
PENDANT

LAMP DIMENSIONS

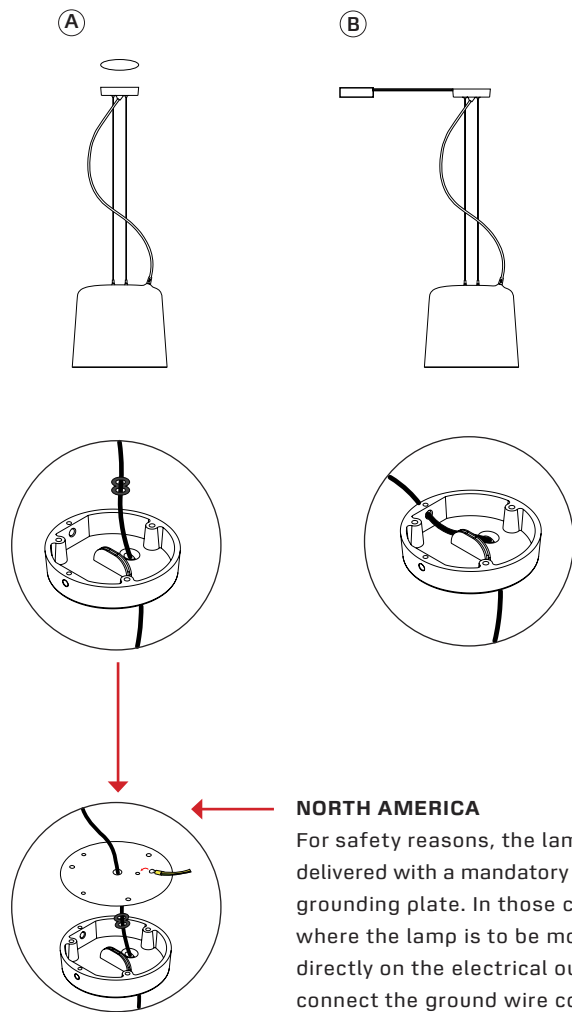


VIPP526
PENDANT

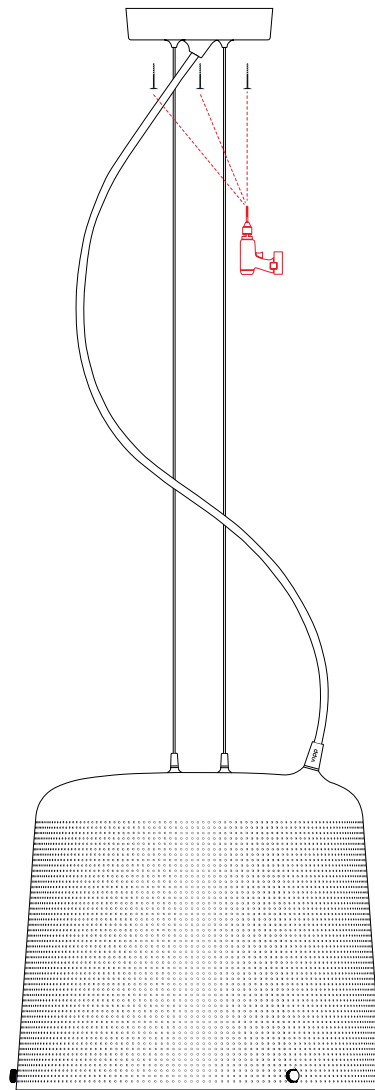
MOUNTING

Attention: Switch off the power supply before any operation such as replacement of the bulb, cleaning, connection to mains etc.

- A. Mounting directly on electrical outlet.
- B. Mounting next to electrical outlet.



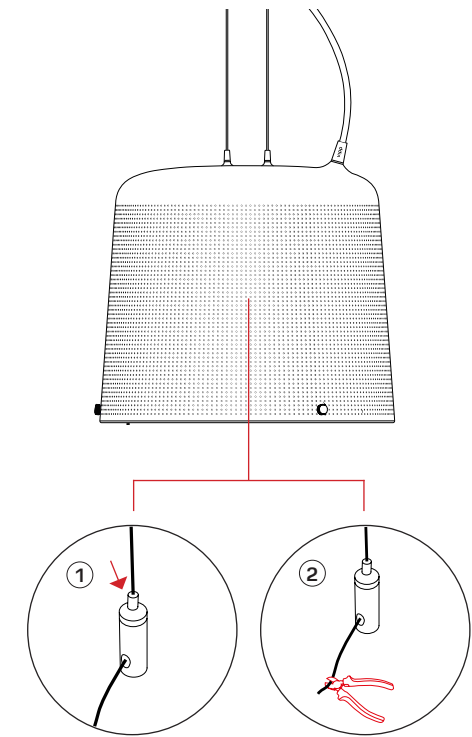
NORTH AMERICA
For safety reasons, the lamp is delivered with a mandatory safety grounding plate. In those cases where the lamp is to be mounted directly on the electrical outlet, connect the ground wire correctly to the electrical installation. See illustration for instructions.



VIPP526
PENDANT

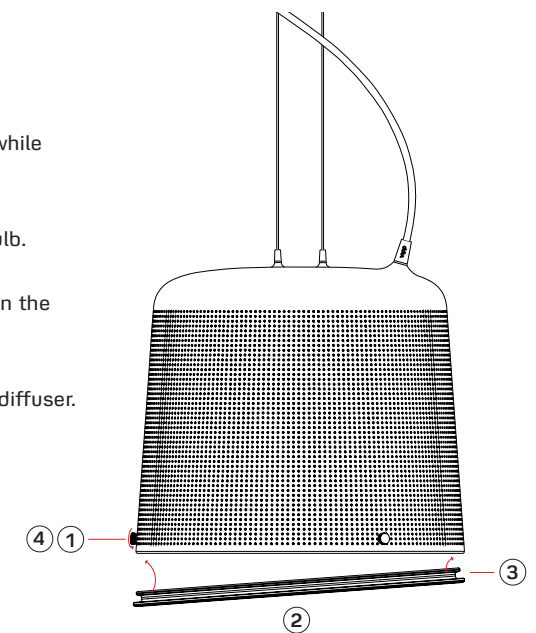
ADJUSTING THE POSITION OF YOUR LAMP

1. Hold the pendant in the desired height. Push down on the pin and move the wire-lock up or down the wire to fix the height of the pendant.
2. Cut the wire. Remember to leave enough wire for later adjustment.



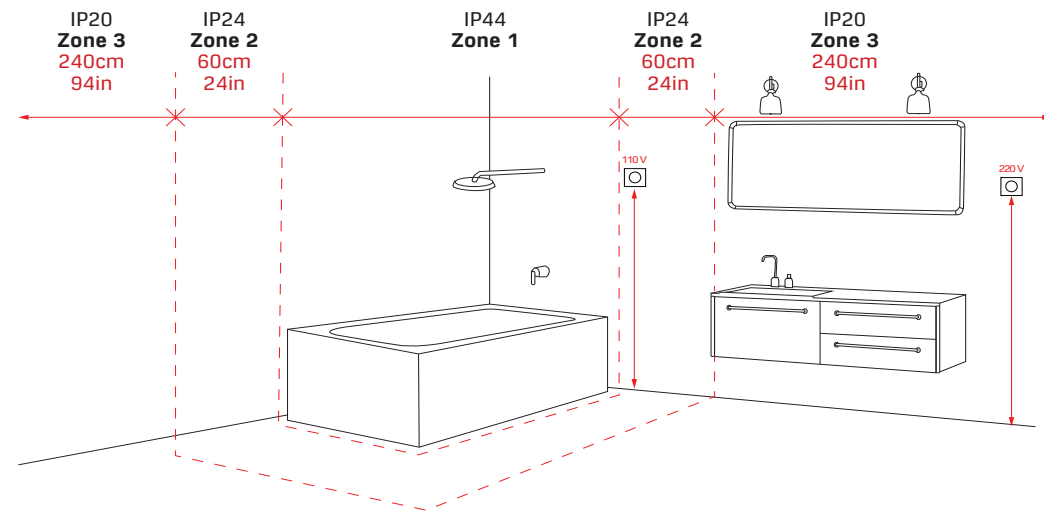
LIGHT BULB CHANGE

1. Loosen the finger screw on the lamp shade while holding underneath the glass diffuser.
2. Remove the glass diffuser and change the bulb.
3. Re-mount the glass diffuser by clicking it in on the front side of the lamp.
4. Tighten the finger screw to secure the glass diffuser.



BATHROOM LIGHTING ZONE CLASSIFICATION

APPLICABLE FOR VIPP522 WALL LAMP AND VIPP524 WALL SPOT
Zone 3 approved.





VIPP CONCEPT STORE & KITCHEN SHOWROOM

NY ØSTERGADE 34 | 1101 COPENHAGEN K | DENMARK
+45 4588 8815 | INFO@VIPP.COM | VIPP.COM

VIPP USA LLC SHOWROOM

83 MURRAY STREET, #3 | NEW YORK, NY 10007
+1 (917) 580 2148 | INFO@VIPP.COM | VIPP.COM