

PRODUCT SHEET

Dew



WOUD

Dew wall/table lamp

Designed by Saif Faisal

Dew is formed by a glowing ellipsoid opal glass, resting on a soft solid wood tray. With its portable character, the versatile piece functions both as a dynamic table and wall lamp, while its dimmable feature allows you to change the mood and intensity of the light to suit the specific setting.

Year

2022

Category / type

Lighting / table/wall lamp

Materials

Opal glass shade with oak/ash base

Assembly instructions

Access the manual [here](#)

Specifications

Chargeable led 2,5W

Battery capacity: 60.000 MAH

IP20, Class II, A++

3000 Kelvin, 160 Lumen

Portable

Charging cable (USB C) included

6-8 hours when fully charged

5-7 hours for complete recharging

Versions available

CE, cUL/UL, SAA

Dimmer

Switch on the base (three levels)

Mounting

Screws included for mounting

Country of origin

China

Packaging

No. of boxes: 1 box

L 400 x D 240 x H 190 mm

L 15.7 x D 9.4 x H 7.4"

Weight

1,2 kg (2,2 kg incl. packaging)

Care instructions

For daily care, wipe off with a clean, moist cloth followed by a soft dry cloth. All our recommended care guides can be downloaded [here](#).



Item no / colour

137035 White pigmented lacquered oak (CE)

137036 Black painted ash (CE)

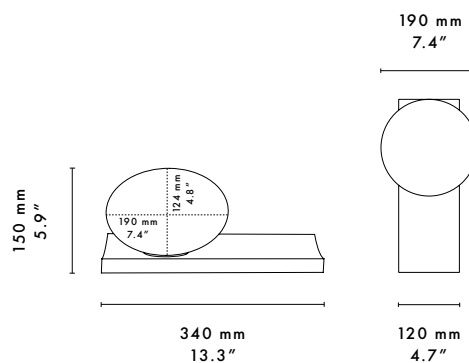
139013 White pigmented lacquered oak (cUL)

139014 Black painted ash (cUL)

Product dimensions

L 340 x D 190 x H 150 mm

L 13.3 x D 7.4 x H 5.9"



Dew table/wall lamp

Designed by Saif Faisal

English text

Formed by a glowing ellipsoid opal glass, resting on a soft solid wood tray, the Dew lamp is a contemporary take on archetypal lanterns. A shape inspired by the early morning dew laying on the leaves. Being a multifunctional object, Dew is designed to serve different purposes with ease to blend into the modern pragmatic lifestyle.

With its portable character, the versatile piece functions both as a dynamic table and wall lamp, while its dimmable feature allows you to change the mood and intensity of the light to suit the specific setting. Place it on a desk, use the tray for your pieces of jewellery or hang it on the wall to provide an inviting light with no need for an electrical supply.

Designed by Saif Faisal

The Indian designer and Architect is the founder of the contemporary and interdisciplinary design studio, Studio SFDW. A studio with an international approach and vision, operating across different continents. With his deep appreciation and insight into cultural anthropology, sociology and technology, his design work is all-embracing and creatively curious.

Danish text

Formet af et lysende opalglas, der hviler på en letbøjet, massiv træbakke, er Dew en moderne version af de klassiske lanterner. Den smukke silhuet er inspireret af den tidlige morgendug, der blidt lægger sig på bladene. Mens det multifunktionelle objekt er designet til at tjene forskellige formål på en elegant måde, så det passer ind i den moderne pragmatiske hverdag.

Med sin flytbare karakter fungerer det alsidige design både som en dynamisk bord- og væglampe, derudover giver dens dæmpbare funktion mulighed for at ændre stemningen og intensiteten af lyset, så det passer til de specifikke omgivelser. Placer den på et skrivebord, brug bakken til dine smykker eller hæng den på væggen for at give et indbydende lys uden behov for strøm.

Designet af Saif Faisal

Den indiske designer og arkitekt, Saif Faisal, etablerede i 2014 det moderne og tværfaglige designstudie, Studio SFDW. Et studie der med en stærk international vision opererer på tværs af kontinenterne. Med sin dybe påskønnelse af og indsigt i kulturanthropologi, sociologi og teknologi er hans designarbejde altomfarvende og kreativt nysgerrigt.