



PRODUCT SHEET

**Snaregade Dining Table, Rectangular**  
*by Norm Architects*

# Snaregade Dining Table, Rectangular

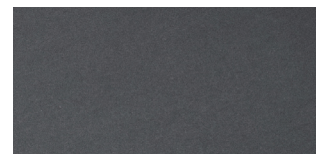
BY NORM ARCHITECTS

Rectangular dining table with a tabletop in linoleum, painted oak veneer or dark stained oak set on a powder coated steel base.

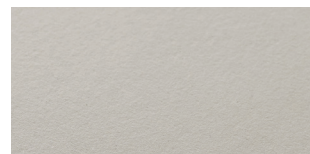


## PRODUCT OPTIONS

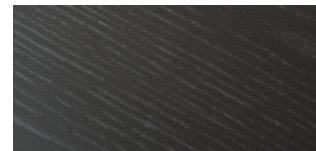
### TABLETOP



CHARCOAL LINOLEUM



MUSHROOM LINOLEUM



BLACK OAK



DARK STAINED OAK

### POWDER COATED STEEL BASE



BLACK STEEL



LIGHT GREY STEEL

# Snaregade Dining Table, Rectangular

BY NORM ARCHITECTS

## TECHNICAL SPECIFICATIONS

### PRODUCT TYPE

Dining table

### COLLI

1

### ENVIRONMENT

Indoor

### DIMENSIONS

H: 73 cm / 28,7"

D: 90 cm / 35,4"

L: 200 cm / 78,7"

### PRODUCTION PROCESS

The tabletop is crafted from FSC certified oak veneer or Forbo linoleum glued on MDF, CNC machine-cut. The frame is welded together from steel tubes and the surface is finished with powder coating.

### COLOUR

#### Linoleum tabletop

Charcoal (Forbo) S 8502-B  
Mushroom (Forbo) S 2002-Y

#### Wooden tabletop

Black oak veneer (RAL 9005)  
Dark stained oak

#### Base

Black (RAL 9005)  
Light grey (RAL 9002)

### GLOSS

Gloss 10-20

### MATERIALS

Linoleum, painted or dark stained oak veneer, MDF and powder coated steel

### WEIGHT

Tabletop: 34,2 kg / 75,4 lb  
Base: 16,9 kg / 37,3 lb

### TEST

EN 15372:2016, L2

### CERTIFICATIONS

TSCA title VI compliant  
Crafted from FSC certified oak veneer

### PACKAGING TYPE

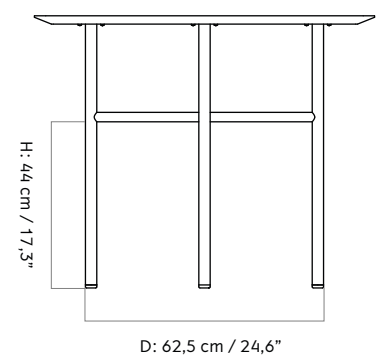
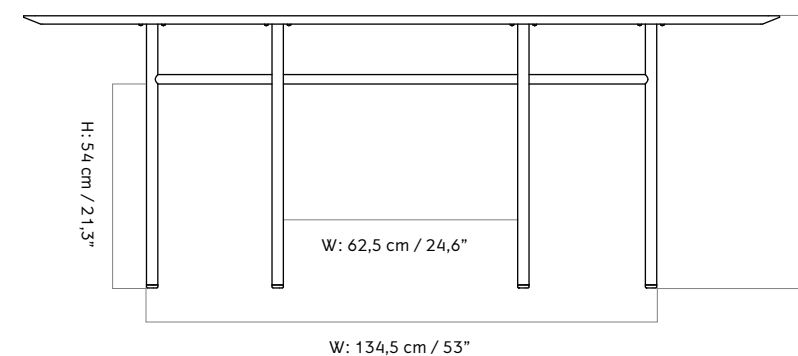
Brown box

### PACKAGING MEASUREMENTS (H x W x D)

19 cm x 205,5 cm x 96 cm / 7,5" x 80,1" x 37,8"

### MATERIALS & MAINTENANCE

Please visit [menuspace.com](https://www.menuspace.com) for materials and care and maintenance instructions.

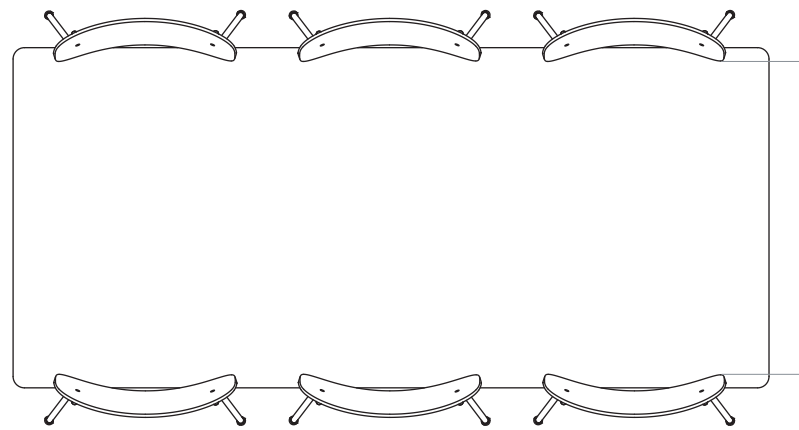


# Snaregade Dining Table, Rectangular

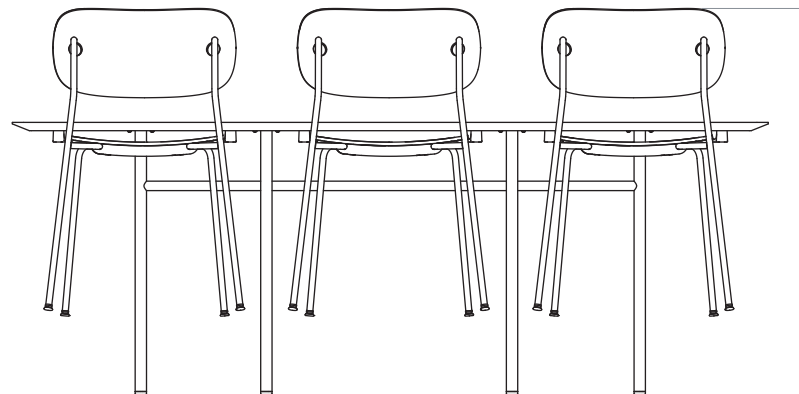
BY NORM ARCHITECTS

## TECHNICAL SPECIFICATIONS

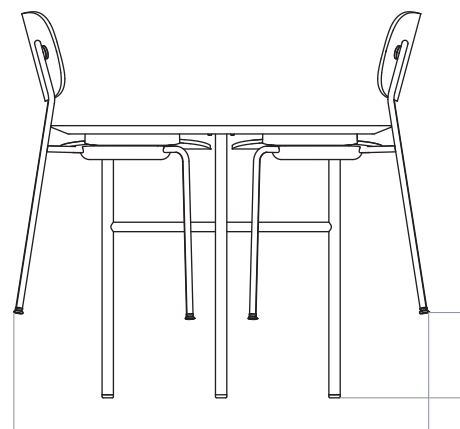
Snaregade Dining Table, Rectangular with seat runner and Co Dining Chair .



D: 82 cm / 32.3"



H: 102 cm / 40.2"



D: 110 cm / 43.5"

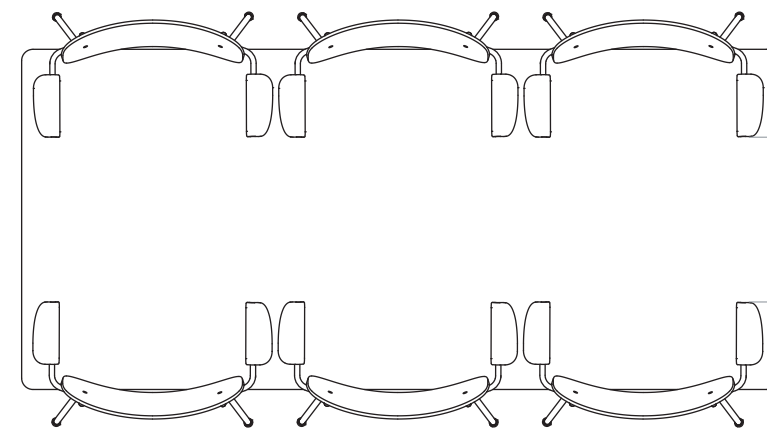
D: 110 cm / 43.5"

# Snaregade Dining Table, Rectangular

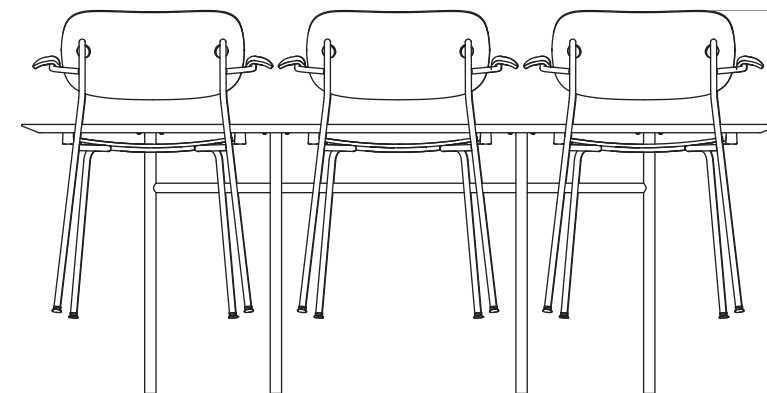
BY NORM ARCHITECTS

## TECHNICAL SPECIFICATIONS

Snaregade Dining Table, Rectangular with seat runner and Co Dining Chair w/Armrest.



D: 44 cm / 17.3"



H: 102 cm / 40.2"



D: 110 cm / 43.5"

D: 110 cm / 43.5"