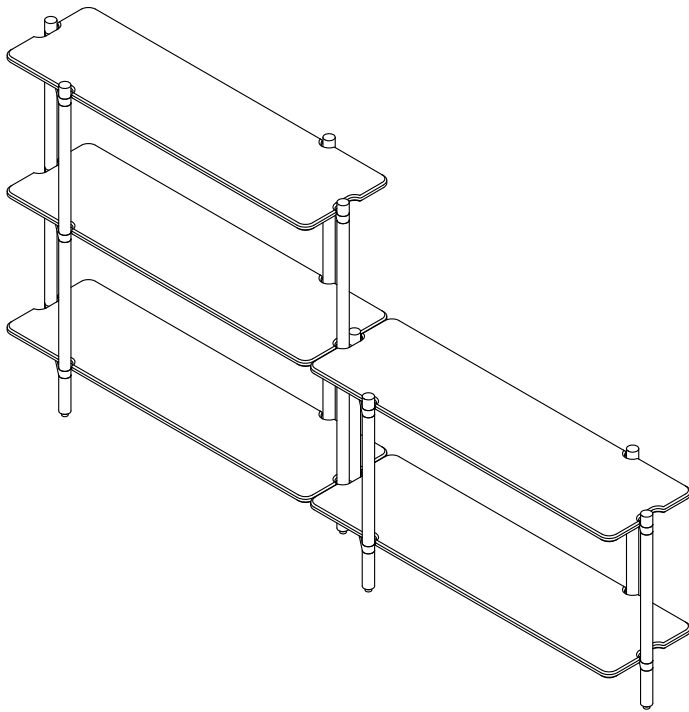


INVI

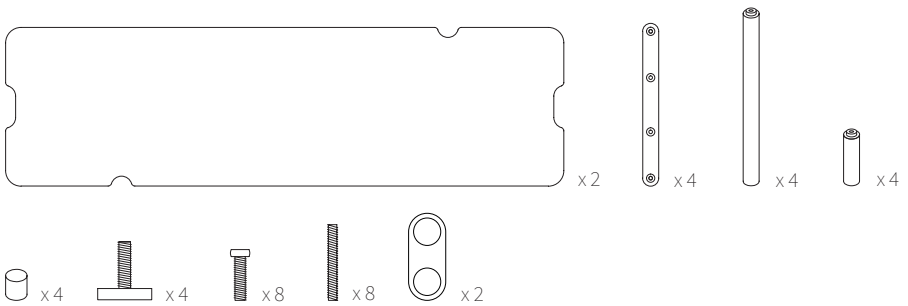
By Yonoh Creative Studio

Instruction

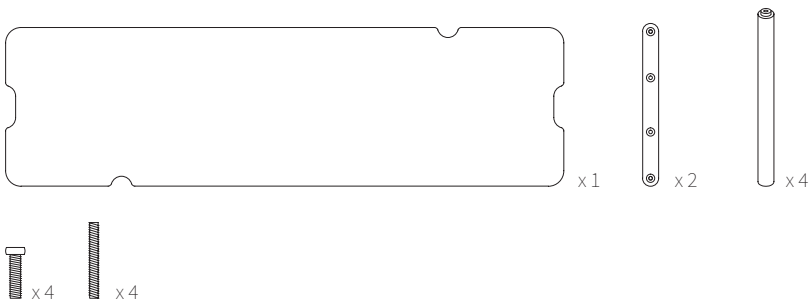


Content of the boxes

The box for **Module 1** contains



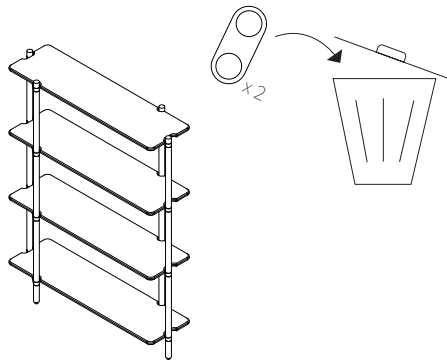
The box for **Module 2** contains



NOTES

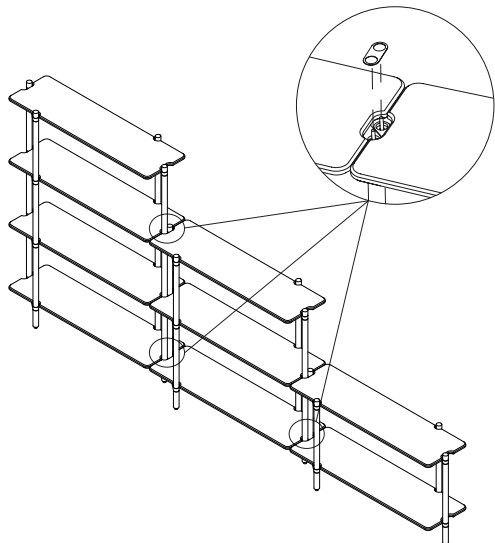
Build upwards

When building upwards you do not need connection brackets. You can therefore throw it out for recycling



Build sideways

When building sideways it is important to build the lowest level first and use the connection brackets as shown in the picture

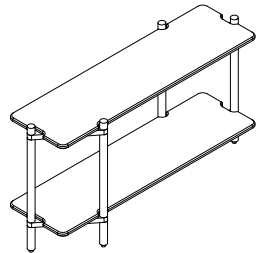


INVI Bookcase module 1

Important notes before start

- ① Start by opening up all your boxes and lay out all the different items.

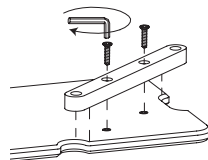
Always start by assembling the lowest level and work your way up



- ② Screw the adjustable feet into the bottom legs and attach the threaded rod in the other end

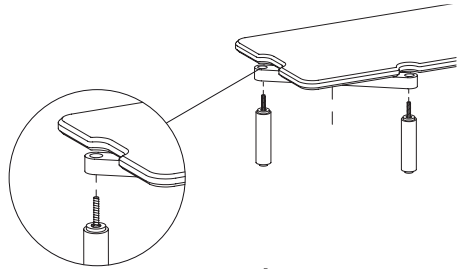


- ③ Attach the beams onto the shelves using the screws

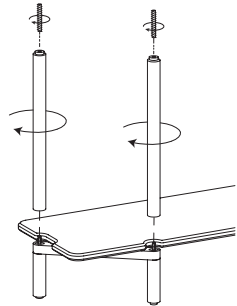


GEJST

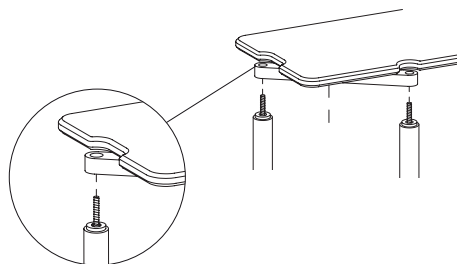
- ④ Place the shelf on top of the bottom legs



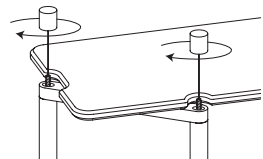
- ⑤ Attach the middle legs and insert a threaded rod in the other end



- ⑥ Place the second shelf on top of the middle legs



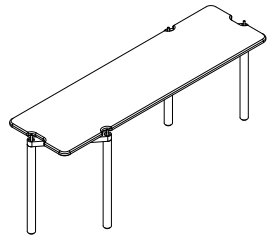
- ⑦ If you want to build higher then add module 2 now. Otherwise attach the knobs



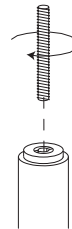
INVI Bookcase module 2

Important notes before start

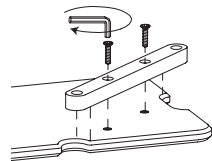
- ① Start by opening up all your boxes and lay out all the different items.



- ② Insert the threaded rod in one of the middle legs

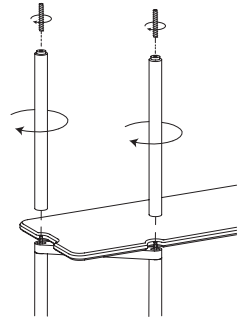


- ③ Attach the beams onto the shelves using screws

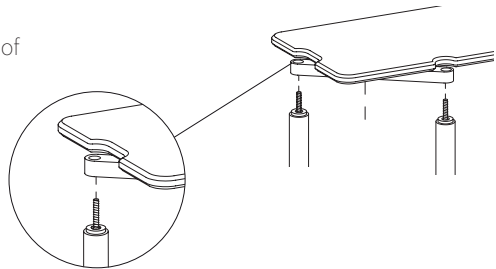


GEJST

- ④ Attach the middle legs on the module below and insert the threaded rod in the other end



- ⑤ Place the second shelf on top of the middle legs



- ⑥ If you want to build higher then go to step 2 now. Otherwise attach the knobs

