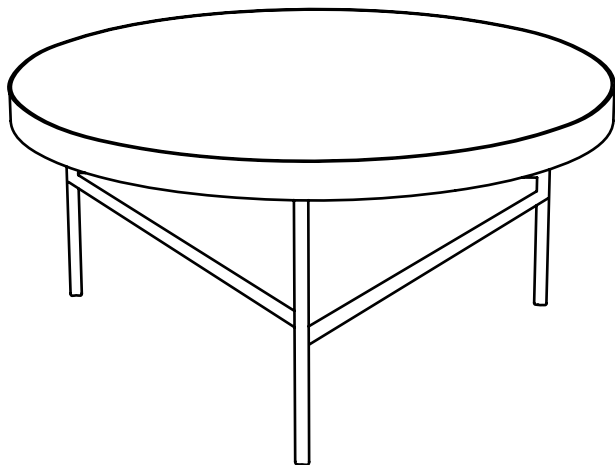


CARE INSTRUCTIONS MARBLE TABLES



WWW.FERMLIVING.COM

ferm
L I V I N G

CARE INSTRUCTIONS MARBLE TABLES

We recommend that regular cleaning is as gentle as possible.

Dust the surface on a regular basis and wash the marble when needed with a cloth dampened with warm water. If necessary, you can add a bit of mild dishwashing liquid. Remove the soap with another damp cloth.

Never use dusting sprays or abrasive cleaners on your marble. To refresh the stone's luster, we recommend marble polish.

To prevent ring marks, use coasters under glasses etc.
Always clean up spills immediately.

Be careful with hard objects that might scratch the surface as the marble is a delicate and porous stone.

WWW.FERMLIVING.COM

ferm 
L I V I N G