

PRODUCT SHEET

Annular



WOU D

Annular pendant Small

Designed by MSDS Studio

The Annular pendant is a modern interpretation of the classic cone pendant. It pairs two primary forms; a conical shade paired with a perfect ring of light at the perimeter. Annular is a result of rethinking the light. The innovative use of led makes no bulb visible creating a clean expression.

Year

2016

Category / type

Lighting / pendant

Materials

Aluminium (structured surface)

Assembly instructions

Access the manual [here](#)

Specifications

Replaceable LED 12W

RA90, non-dimmable, not compatible with Dali

IP20, Class II

3000 kelvin, 523 LM

A++

Versions available

CE, CETL

Cord

Fabric covered cord (3000 mm / 118.1")

Matching the pendant in colour

Canopy

Metal in matching colour as the pendant, round

(\varnothing 110 mm x H 40 / \varnothing 4.3 x H 1.5")

Country of origin

China

Packaging

No. of boxes: 1 box

L 420 x D 420 x H 335 mm

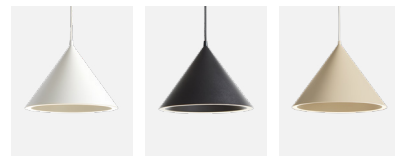
L 16.5 x D 16.5 x H 13.1"

Weight

1,2 kg (2,2 kg incl. packaging)

Care instructions

For daily care, wipe off with a clean, moist cloth followed by a soft dry cloth. All our recommended care guides can be downloaded [here](#).



Item no / colour

133040 White (CE)

133041 Black (CE)

133042 Beige (CE)

139060 White (CETL)

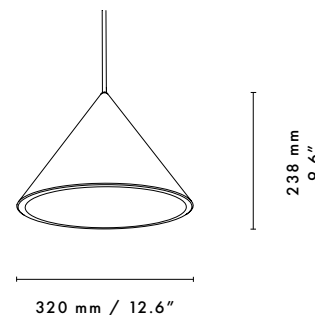
139061 Black (CETL)

139062 Beige (CETL)

Product dimensions

\varnothing 320 x H 238 mm

\varnothing 12.6 x H 9.3"



Annular pendant Large

Designed by MSDS Studio

The Annular pendant is a modern interpretation of the classic cone pendant. It pairs two primary forms; a conical shade paired with a perfect ring of light at the perimeter. Annular is a result of rethinking the light. The innovative use of led makes no bulb visible creating a clean expression.

Year

2018

Category / type

Lighting / pendant

Materials

Aluminium (structured surface)

Assembly instructions

Access the manual [here](#)

Specifications

Replaceable LED 18W

RA90, non-dimmable, not compatible with Dali

IP20, Class II

3000 kelvin, 523 LM

A++

Version available

CE

Cord

Fabric covered cord (3000 mm / 118.1")

Matching the pendant in colour

Canopy

Metal in matching colour as the pendant, round
(\varnothing 110 mm x H 40 / \varnothing 4.3 x H 1.5")

Country of origin

China

Packaging

No. of boxes: 1 box

L 560 x D 560 x H 435 mm

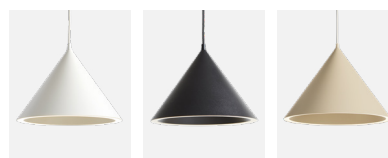
L 22.0 x D 22.0 x H 17.1"

Weight

2,2 kg (5,3 kg incl. packaging)

Care instructions

For daily care, wipe off with a clean, moist cloth followed by a soft dry cloth. All our recommended care guides can be downloaded [here](#).



Item no / colour

133046 White (CE)

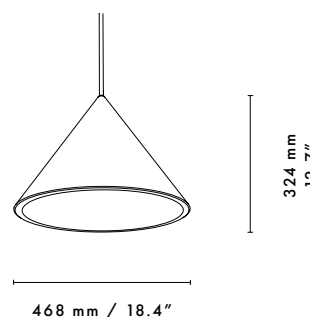
133047 Black (CE)

133048 Beige (CE)

Product dimensions

\varnothing 468 x H 324 mm

\varnothing 9.3 x H 12.6"



Annular pendants

Designed by MSDS Studio

English text

The Annular pendant is a modern interpretation of the classic cone pendant. It pairs two primary forms; a conical shade paired with a perfect ring of light at the perimeter. Annular is a result of rethinking the light. The innovative use of led makes no bulb visible creating a clean expression. The cone is evocative of a classic pendant form while the ring-shaped light source is boldly graphic and resolutely contemporary.

Designed by MSDS Studio

A successful Canadian design studio founded by Jessica Nakanishi and Jonathan Sabine. With a modern approach to design, they create innovative design that engages contemporary culture while staying true to the inheritance of craftsmanship. Their work synthesises very meticulous considerations of colour, form and space, which results in simple designs.

Danish text

Annular pendlen er en elegant og moderne fortolkning af den klassiske kegleformet pendel. Den kombinerer to primære former; en kegle form kombineret med en lysende cirkel i bunden. Den innovative brug af LED skjuler lyskilden og skaber et rent udtryk. Formen har referencer til et klassisk formsprog, men den ringformede lyskilde er både grafisk og moderne.

Designet af MSDS Studio

Et blomstrende canadisk designstudie, der arbejder indenfor interiør, møbler og belysningsdesign. Designerne bag studiet er Jessica Nakanishi og Jonathan Sabine. Et par, hvis arbejde omfatter meget grundige refleksioner om farve, form og rum, hvilket resulterer i enkle skandinaviske designs.